



**GMESR-14-0**  
**Modular Slide Rail**  
**System**  
**Tabulated Data Package**

Revised Dec. 1, 2014

*Copyright, U.S.A., Griswold Machine & Eng.,  
594 West Highway M-60, Union City, MI 49094  
(800) 248-2054 Fax: (517) 741-7483*

# CAUTION

## IMPROPER USE OF SHORING MAY CAUSE INJURY OR DEATH!

A COMPETENT PERSON WHO SATISFIES THE DEFINITION AND INTENT OF THE 1926 CONSTRUCTION STANDARD SUBPART P EXCAVATIONS SHALL:

ENSURE THAT ALL EMPLOYEES ARE WORKING IN SAFE CONDITIONS AND THAT ALL EMPLOYEES HAVE BEEN TRAINED IN CORRECT EXCAVATION PROCEDURES AND THE PROPER USE OF THE PROTECTIVE EQUIPMENT CHOSEN.

EXCAVATIONS AND PROTECTIVE EQUIPMENT SHALL BE INSPECTED A MINIMUM OF:

ONCE EACH WORKING DAY AND WHENEVER THERE IS A CHANGE IN THE SOIL CONDITIONS AND/OR OTHER CHANGES SUCH AS AN INCREASE OR DECREASE IN WATER OR VIBRATIONS.

EMPLOYEES SHALL NOT BE ALLOWED TO ENTER AN EXCAVATION THAT IS NOT PROPERLY SHORED, SHIELDED, OR SLOPED.

EMPLOYEES SHALL ONLY ENTER, WORK, AND EXIT WITHIN THE SHORED, SHIELDED, OR SLOPED AREAS OF THE EXCAVATION AND/OR TRENCH.

ALL LIFTING AND PULLING EQUIPMENT, INCLUDING CABLES, SLINGS, CHAINS, SHACKLES AND SAFETY HOOKS SHALL BE INSPECTED FOR DAMAGE OR DEFECTS PRIOR TO USE AND SHALL BE EVALUATED FOR SUITABILITY AND CAPACITY.

THIS GME TABULATED DATA PROVIDES A GENERAL SET OF GUIDELINES TO ASSIST THE COMPETENT PERSON IN THE SELECTION OF A PROTECTIVE SYSTEM FOR EMPLOYEE SAFETY. THE RESPONSIBILITY FOR JOB SITE SAFETY AND THE PROPER SELECTION, INSTALLATION AND REMOVAL OF THE SHORING EQUIPMENT BELONGS TO THE COMPETENT PERSON DESIGNATED FOR THAT JOBSITE. THIS TABULATED DATA IS NOT INTENDED TO BE USED AS A JOB SPECIFIC EXCAVATION/TRENCHING SAFETY PLAN, BUT SHALL BE USED BY THE COMPETENT PERSON. TABULATED DATA IS INTENDED AS A SUPPLEMENT TO HIS/HER TRAINING, EXPERIENCE AND KNOWLEDGE OF SAFE PROCEDURES, JOB SITE CONDITIONS AND SOIL TYPES. TABULATED DATA IS INTENDED TO ASSIST HIM IN THE SELECTION OF AN APPROPRIATE PROTECTIVE SYSTEM FOR EMPLOYEE SAFETY.

## MODULAR SLIDE RAIL SYSTEM TABULATED DATA

---

### General:

1. This data has been prepared by a Registered Professional Engineer as required by the OSHA standard 29 CRF, Part 1926, Subpart P, Excavations.
2. This data is to be used by the "competent person" to ensure the proper use of the GME Slide Rail System.
3. "Competent person" is one who is capable of identifying existing and predictable hazards in the surroundings or working conditions which are unsanitary, hazardous, or dangerous to employees, and who has authorization to take prompt corrective measures to eliminate them.
4. When there is a discrepancy concerning the use of protective systems between this tabulated data and the OSHA standard, this data shall take precedence. Any topic not covered by this data shall be governed by the OSHA standard.
5. GME & DHC shall not be liable for damage or injury resulting from improper use of the GME Slide Rail System. Improper use of or modifications to the GME Slide Rail System, or use of components not specifically authorized by GME without the written consent of GME shall void this data and all manufacturer's warranty.
6. This data is valid for GME Slide Rail Components in structurally sound condition. Any significant damage will void this data, and all manufacturer's warranty. The damaged component shall not be used.

---

### Soil Classification

1. See the OSHA regulations for definitions of Type A & B soils.
2. Type C60: A cohesive soil with an unconfined compressive strength of 0.5 tsf or less and granular soils including gravel, sand, and loamy sand which is NOT flowing and is NOT submerged. Equivalent Fluid Pressure (EFP) of 60 psf per foot of depth
3. Type C80: A type C soils which is submerged or has freely seeping water. Equivalent Fluid Pressure (EFP) of 80 psf per foot of depth
4. Do not install shoring in very soft, flowing, or unstable clays without approval from a licensed professional engineer.
5. The competent person must monitor the excavations in C60 soils for signs of deterioration that may alter soil pressures and produce the Soil Type C80 condition. Such signs are indicated by, but not limited to, freely seeping water or flowing soil entering the excavation around or below the system.

## MODULAR SLIDE RAIL SYSTEM TABULATED DATA

---

### **System Specifications:**

1. All personnel involved with the use of the GME Slide Rail System shall be trained in the proper use and installation procedures and other applicable safety requirements.
  2. Depth Ratings for Slide Rail Components are based on examples of homogeneous soil conditions. Actual soil pressures should be verified to be sure that the systems structural capacity is not exceeded.
  3. Surcharge loads are not included in the Depth Ratings of the Slide Rail Components. Surcharge loads are possible due to heavy equipment, vibrations, or soil piles adjacent to the excavation. (Adjacent is defined as within a distance equal to the depth of the excavation.) Surcharge loads may cause damage and permanent deformation to Slide Rail Components or adjacent structures/utilities.
  4. The Depth Ratings for Slide Rail Panels are defined in Figs 2.1, 2.2, 2.3 & 2.4. Panel Depth Ratings for the classified soil types must meet or exceed the depth at which the panels are used.
  5. If Linear Rails are to be utilized, a minimum of two struts are required for Linear Rails 23 ft. in length or shorter. If Linear Rail lengths exceed 23 ft, a minimum of three struts shall be required. Additional Struts may be required to reduce Vertical Clearance and increase the System's Capacity.
  6. Refer to SRL charts for the appropriate strut and linear rail in order to determine the allowable depth rating, clearance and strut length.
  7. Slide Rail Panels may extend a maximum of 2 ft. beyond the bottom of Corner Rails or Linear Rails.
  8. Slide Rail Panels may be held a maximum of 2 ft. above the bottom of the excavation in stable materials
-



# GEI 8'-TALL INNER PANEL DEPTH RATINGS

PANEL HEIGHT (H)	PANEL LENGTH (L)	L = Light Duty M = Medium Duty H = Heavy Duty XH = X Heavy Duty XXH - XX Heavy Duty	MODEL NUMBER	PRESSURE CAPACITY (PSF)	DEPTH RATING (FT)			
					A SOILS	B SOILS	C-60 SOILS	C-80 SOILS
8'	8'	L	GEI 88L	2160	40'	40'	40'	25'
8'	10'	L	GEI 810L	2160	40'	40'	40'	25'
		M	GEI 810M	2160	40'	40'	40'	25'
		H	GEI 810H	2160	40'	40'	40'	25'
8'	12'	L	GEI 812L	1769	40'	40'	34'	25'
		M	GEI 812M	2160	40'	40'	40'	25'
		H	GEI 812H	2160	40'	40'	40'	25'
8'	14'	L	GEI 814L	1315	40'	33'	26'	20'
		M	GEI 814M	2049	40'	40'	38'	25'
		H	GEI 814H	2160	40'	40'	40'	25'
8'	16'	L	GEI 816L	1005	40'	26'	21'	16'
		M	GEI 816M	1567	40'	39'	30'	24'
		H	GEI 816H	2160	40'	40'	40'	25'
8'	18'	L	GEI 818L	736	33'	20'	16'	13'
		M	GEI 818M	1127	40'	29'	23'	18'
		H	GEI 818H	1867	40'	40'	35'	25'
8'	20'	L	GEI 820L	482	23'	15'	12'	10'
		M	GEI 820M	738	34'	20'	16'	13'
		H	GEI 820H	1223	40'	31'	24'	19'
		XH	GEI 820XH	1750	40'	40'	33'	25'
		XXH	GEI 820XXH	2160	40'	40'	40'	25'
8'	24'	H	GEI 824H	848	38'	23'	18'	15'
		XH	GEI 824XH	1000	40'	26'	20'	16'
		XXH	GEI 824XXH	1440	40'	36'	28'	22'
8'	27'	XXH	GEI 827XXH	720	32'	20'	16'	13'

**Notes:**

- 1) Pressure and depth ratings include 33% overstress for temporary loading conditions
- 2) Refer to GMESR-14-0 "GME Slide Rail Tabulated Data Package" for all general safety notes and limitations.
- 3) When struts and linear rails are used, refer to "SRL" charts to confirm depth ratings. Lowest depth among all applicable charts always controls.



## CHART P-G8I

Rev 0.





# GEI 4'-TALL INNER PANEL DEPTH RATINGS

PANEL HEIGHT (H)	PANEL LENGTH (L)	L = Light Duty M = Medium Duty H = Heavy Duty XH = X Heavy Duty	MODEL NUMBER	PRESSURE CAPACITY (PSF)	DEPTH RATING (FT)			
					A SOILS	B SOILS	C-60 SOILS	C-80 SOILS
4'	8'	L	GEI 48L	2280	40'	40'	40'	25'
4'	10'	L	GEI 410L	2280	40'	40'	40'	25'
		M	GEI 410M	2280	40'	40'	40'	25'
		H	GEI 410H	2280	40'	40'	40'	25'
4'	12'	L	GEI 412L	1858	40'	40'	35'	25'
		M	GEI 412M	2280	40'	40'	40'	25'
		H	GEI 412H	2280	40'	40'	40'	25'
4'	14'	L	GEI 414L	1359	40'	34'	26'	20'
		M	GEI 414M	1935	40'	40'	37'	25'
		H	GEI 414H	2280	40'	40'	40'	25'
4'	16'	L	GEI 416L	1038	40'	27'	20'	15'
		M	GEI 416M	1477	40'	38'	28'	21'
		H	GEI 416H	2280	40'	40'	40'	25'
4'	18'	L	GEI 418L	772	33'	19'	15'	12'
		M	GEI 418M	1158	40'	28'	21'	16'
		H	GEI 418H	1796	40'	40'	34'	25'
4'	20'	L	GEI 420L	506	22'	13'	10'	8'
		M	GEI 420M	758	32'	19'	15'	11'
		H	GEI 420H	1237	40'	29'	23'	17'
		XH	GEI 420XH	1628	40'	40'	31'	23'
4'	24'	H	GEI 424H	595	26'	15'	12'	9'
		XH	GEI 424XH	1000	40'	24'	19'	15'

Notes:

- 1) Pressure and depth ratings include 33% overstress for temporary loading conditions
- 2) Refer to GMESR-14-0 "GME Slide Rail Tabulated Data Package" for all general safety notes and limitations.
- 3) When struts and linear rails are used, refer to "SRL" charts to confirm depth ratings. Lowest depth among all applicable charts always controls.



## CHART P-G4I

Rev 0.



MAR 02 2015



# GEO 8'-TALL OUTER PANEL DEPTH RATINGS

PANEL HEIGHT (H)	PANEL LENGTH (L)	L = Light Duty M = Medium Duty H = Heavy Duty XH = X Heavy Duty XXH - XX Heavy Duty	MODEL NUMBER	PRESSURE CAPACITY (PSF)	DEPTH RATING (FT)			
					A SOILS	B SOILS	C-60 SOILS	C-80 SOILS
8'	8'	L	GEO 88L	2160	40'	40'	40'	25'
8'	10'	L	GEO 810L	2160	40'	40'	40'	25'
		M	GEO 810M	2160	40'	40'	40'	25'
		H	GEO 810H	2160	40'	40'	40'	25'
8'	12'	L	GEO 812L	1674	40'	40'	32'	25'
		M	GEO 812M	2160	40'	40'	40'	25'
		H	GEO 812H	2160	40'	40'	40'	25'
8'	14'	L	GEO 814L	1240	40'	32'	25'	20'
		M	GEO 814M	1932	40'	40'	36'	25'
		H	GEO 814H	2160	40'	40'	40'	25'
8'	16'	L	GEO 816L	955	40'	25'	20'	16'
		M	GEO 816M	1488	40'	37'	29'	23'
		H	GEO 816H	2160	40'	40'	40'	25'
8'	18'	L	GEO 818L	672	31'	19'	15'	12'
		M	GEO 818M	1028	40'	27'	21'	17'
		H	GEO 818H	1703	40'	40'	32'	25'
8'	20'	L	GEO 820L	444	22'	14'	11'	10'
		M	GEO 820M	680	31'	19'	15'	13'
		H	GEO 820H	1125	40'	29'	23'	18'
8'	24'	H	GEO 824H	549	26'	16'	13'	11'
		XH	GEO 824XH	1000	40'	26'	20'	16'
		XXH	GEO 824XXH	1440	40'	36'	28'	22'
8'	27'	XXH	GEO 827XXH	720	32'	20'	16'	13'

**Notes:**

- 1) Pressure and depth ratings include 33% overstress for temporary loading conditions
- 2) Refer to GMESR-14-0 "GME Slide Rail Tabulated Data Package" for all general safety notes and limitations.
- 3) When struts and linear rails are used, refer to "SRL" charts to confirm depth ratings. Lowest depth among all applicable charts always controls.



## CHART P-G80

Rev 0.



MAR 02 2015



# GEO 4'-TALL OUTER PANEL DEPTH RATINGS

PANEL HEIGHT (H)	PANEL LENGTH (L)	L = Light Duty M = Medium Duty H = Heavy Duty XH = X Heavy Duty	MODEL NUMBER	PRESSURE CAPACITY (PSF)	DEPTH RATING (FT)			
					A SOILS	B SOILS	C-60 SOILS	C-80 SOILS
4'	8'	L	GEO 48L	2280	40'	40'	40'	25'
4'	10'	L	GEO 410L	2280	40'	40'	40'	25'
		M	GEO 410M	2280	40'	40'	40'	25'
		H	GEO 410H	2280	40'	40'	40'	25'
4'	12'	L	GEO 412L	1842	40'	40'	33'	25'
		M	GEO 412M	2280	40'	40'	40'	25'
		H	GEO 412H	2280	40'	40'	40'	25'
4'	14'	L	GEO 414L	1359	40'	32'	25'	19'
		M	GEO 414M	1935	40'	40'	36'	25'
		H	GEO 414H	2280	40'	40'	40'	25'
4'	16'	L	GEO 416L	1038	40'	25'	20'	15'
		M	GEO 416M	1477	40'	37'	28'	21'
		H	GEO 416H	2280	40'	40'	40'	25'
4'	18'	L	GEO 418L	704	30'	18'	14'	11'
		M	GEO 418M	1056	40'	25'	20'	15'
		H	GEO 418H	1724	40'	40'	31'	24'
4'	20'	L	GEO 420L	465	21'	12'	10'	8'
		M	GEO 420M	698	30'	18'	14'	11'
		H	GEO 420H	1139	40'	27'	21'	16'
4'	24'	M	GEO 424XH	1000	40'	24'	19'	15'

Notes:

- 1) Pressure and depth ratings include 33% overstress for temporary loading conditions
- 2) Refer to GMESR-14-0 "GME Slide Rail Tabulated Data Package" for all general safety notes and limitations.
- 3) When struts and linear rails are used, refer to "SRL" charts to confirm depth ratings. Lowest depth among all applicable charts always controls.



## CHART P-G40

Rev 0.



MAR 02 2015



# URI 8'-TALL INNER PANEL DEPTH RATINGS

PANEL HEIGHT (H)	PANEL LENGTH (L)	L = Light Duty M = Medium Duty H = Heavy Duty	MODEL NUMBER	PRESSURE CAPACITY (PSF)	DEPTH RATING (FT)			
					A SOILS	B SOILS	C-60 SOILS	C-80 SOILS
8'	10'	L	URI 810L	2160	40'	40'	40'	25'
		M	URI 810M	2160	40'	40'	40'	25'
		H	URI 810H	2160	40'	40'	40'	25'
8'	11'	M	URI 811M	2160	40'	40'	40'	25'
8'	12'	L	URI 812L	1674	40'	40'	32'	25'
		M	URI 812M	2160	40'	40'	40'	25'
		H	URI 812H	2160	40'	40'	40'	25'
8'	14'	L	URI 814L	1315	40'	33'	26'	20'
		M	URI 814M	2049	40'	40'	38'	25'
		H	URI 814H	2160	40'	40'	40'	25'
8'	15'	L	URI 815L	1060	40'	28'	22'	16'
		M	URI 815M	1652	40'	40'	32'	25'
		H	URI 815H	2160	40'	40'	40'	25'
8'	17'	L	URI 817L	856	38'	23'	18'	13'
		M	URI 817M	1312	40'	33'	26'	20'
		H	URI 817H	1983	40'	40'	37'	25'
8'	19'	L	URI 819L	598	28'	17'	14'	11'
		M	URI 819M	915	40'	24'	19'	15'
		H	URI 819H	1516	40'	38'	29'	22'

Notes:

- 1) Pressure and depth ratings include 33% overstress for temporary loading conditions
- 2) Refer to GMESR-14-0 "GME Slide Rail Tabulated Data Package" for all general safety notes and limitations.
- 3) When struts and linear rails are used, refer to "SRL" charts to confirm depth ratings. Lowest depth among all applicable charts always controls.



## CHART P-U8I

Rev 0.





# URI 4'-TALL INNER PANEL DEPTH RATINGS

PANEL HEIGHT (H)	PANEL LENGTH (L)	L = Light Duty M = Medium Duty H = Heavy Duty	MODEL NUMBER	PRESSURE CAPACITY (PSF)	DEPTH RATING (FT)			
					A SOILS	B SOILS	C-60 SOILS	C-80 SOILS
4'	10'	L	URI 410L	2174	40'	40'	40'	25'
		M	URI 410M	2280	40'	40'	40'	25'
		H	URI 410H	2280	40'	40'	40'	25'
4'	11'	M	URI 411M	2280	40'	40'	40'	25'
4'	12'	L	URI 412L	1497	40'	38'	29'	22'
		M	URI 412M	2280	40'	40'	40'	25'
		H	URI 412H	2280	40'	40'	40'	25'
4'	14'	L	URI 414L	1149	40'	29'	22'	17'
		M	URI 414M	2169	40'	40'	38'	25'
		H	URI 414H	2280	40'	40'	40'	25'
4'	15'	L	URI 415L	918	40'	23'	18'	13'
		M	URI 415M	1684	40'	40'	31'	24'
		H	URI 415H	2280	40'	40'	40'	25'
4'	17'	L	URI 417L	737	34'	19'	14'	11'
		M	URI 417M	1348	40'	32'	24'	19'
		H	URI 417H	2047	40'	40'	36'	25'
4'	19'	L	URI 419L	612	27'	16'	12'	9'
		M	URI 419M	940	40'	23'	18'	14'
		H	URI 419H	1534	40'	36'	28'	21'

Notes:

- 1) Pressure and depth ratings include 33% overstress for temporary loading conditions
- 2) Refer to GMESR-14-0 "GME Slide Rail Tabulated Data Package" for all general safety notes and limitations.
- 3) When struts and linear rails are used, refer to "SRL" charts to confirm depth ratings. Lowest depth among all applicable charts always controls.



## CHART P-U4I

Rev 0.



MAR 02 2015



# URO 8'-TALL OUTER PANEL DEPTH RATINGS

PANEL HEIGHT (H)	PANEL LENGTH (L)	L = Light Duty M = Medium Duty H = Heavy Duty	MODEL NUMBER	PRESSURE CAPACITY (PSF)	DEPTH RATING (FT)			
					A SOILS	B SOILS	C-60 SOILS	C-80 SOILS
8'	10'	L	URO 810L	2160	40'	40'	40'	25'
		M	URO 810M	2160	40'	40'	40'	25'
		H	URO 810H	2160	40'	40'	40'	25'
8'	11'	M	URO 811M	2160	40'	40'	40'	25'
8'	12'	L	URO 812L	1674	40'	40'	32'	25'
		M	URO 812M	2160	40'	40'	40'	25'
		H	URO 812H	2160	40'	40'	40'	25'
8'	14'	L	URO 814L	1315	40'	33'	26'	20'
		M	URO 814M	2049	40'	40'	38'	25'
		H	URO 814H	2160	40'	40'	40'	25'
8'	15'	L	URO 815L	1060	40'	28'	22'	16'
		M	URO 815M	1652	40'	40'	32'	25'
		H	URO 815H	2160	40'	40'	40'	25'
8'	17'	L	URO 817L	856	38'	23'	18'	13'
		M	URO 817M	1312	40'	33'	26'	20'
		H	URO 817H	1983	40'	40'	37'	25'
8'	19'	L	URO 819L	598	28'	17'	14'	11'
		M	URO 819M	915	40'	24'	19'	15'
		H	URO 819H	1516	40'	38'	29'	22'

Notes:

- 1) Pressure and depth ratings include 33% overstress for temporary loading conditions
- 2) Refer to GMESR-14-0 "GME Slide Rail Tabulated Data Package" for all general safety notes and limitations.
- 3) When struts and linear rails are used, refer to "SRL" charts to confirm depth ratings. Lowest depth among all applicable charts always controls.



## CHART P-U80

Rev 0.





# URO 4'-TALL OUTER PANEL DEPTH RATINGS

PANEL HEIGHT (H)	PANEL LENGTH (L)	L = Light Duty M = Medium Duty H = Heavy Duty	MODEL NUMBER	PRESSURE CAPACITY (PSF)	DEPTH RATING (FT)			
					A SOILS	B SOILS	C-60 SOILS	C-80 SOILS
4'	10'	L	URO 410L	2174	40'	40'	40'	25'
		M	URO 410M	2280	40'	40'	40'	25'
		H	URO 410H	2280	40'	40'	40'	25'
4'	11'	M	URO 411M	2280	40'	40'	40'	25'
4'	12'	L	URO 412L	1497	40'	38'	29'	22'
		M	URO 412M	2280	40'	40'	40'	25'
		H	URO 412H	2280	40'	40'	40'	25'
4'	14'	L	URO 414L	1149	40'	29'	22'	17'
		M	URO 414M	2169	40'	40'	38'	25'
		H	URO 414H	2280	40'	40'	40'	25'
4'	15'	L	URO 415L	918	40'	23'	18'	13'
		M	URO 415M	1684	40'	40'	31'	24'
		H	URO 415H	2280	40'	40'	40'	25'
4'	17'	L	URO 417L	737	34'	19'	14'	11'
		M	URO 417M	1348	40'	32'	24'	19'
		H	URO 417H	2047	40'	40'	36'	25'
4'	19'	L	URO 419L	612	27'	16'	12'	9'
		M	URO 419M	940	40'	23'	18'	14'
		H	URO 419H	1534	40'	36'	28'	21'

Notes:

- 1) Pressure and depth ratings include 33% overstress for temporary loading conditions
- 2) Refer to GMESR-14-0 "GME Slide Rail Tabulated Data Package" for all general safety notes and limitations.
- 3) When struts and linear rails are used, refer to "SRL" charts to confirm depth ratings. Lowest depth among all applicable charts always controls.



## CHART P-U40

Rev 0.



MAR 02 2015



# LINEAR RAIL & STRUT DEPTH RATINGS DIAGRAMS & EXAMPLE (SRL-1-0)

Refer to "LINEAR RAIL & STRUT - ALLOWABLE DEPTH RATINGS" charts to determine allowable depth rating for specific applications

Refer to GMESR-14-0 "GME SLIDE RAIL TABULATED DATA PACKAGE" for all general notes and restrictions of use

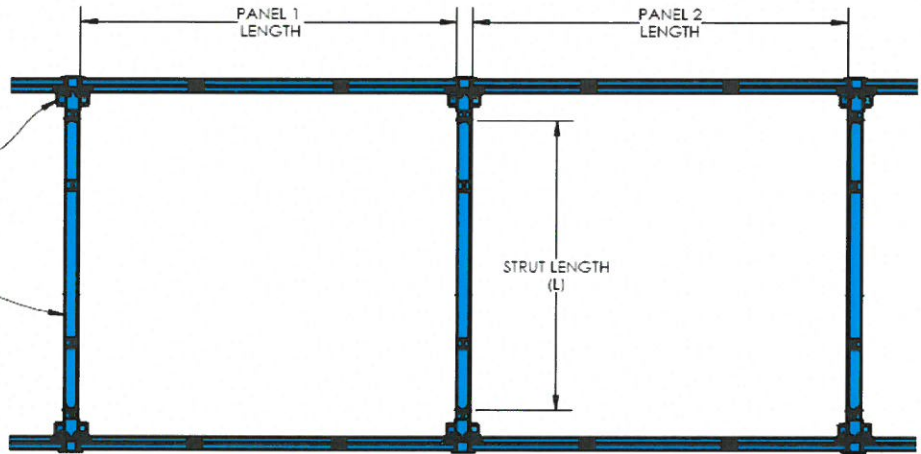
**Top View:**

EPL = Equivalent Panel Length

$$EPL = \frac{\text{Panel Length 1} + \text{Panel Length 2}}{2}$$

STANDARD, MEDIUM OR HEAVY DUTY RAILS (REFER TO APPROPRIATE CHART)

STRUT LENGTH (SEE SIZE LISTED AT TOP OF DATA SHEET TYP.)

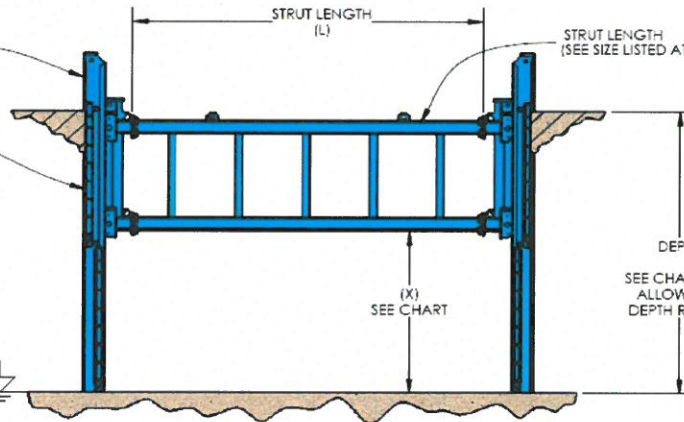


**Section View:**

STANDARD, MEDIUM OR HEAVY DUTY LINEAR RAIL (SEE CHART)

SLIDE RAIL PANEL (USE TO DETERMINE "EPL")

MIN. DEWATERING



**Example:**

Project Details:

Strut = W8x67  
 Panel Length 1 = 16'  
 Panel Length 2 = 20'  
 Rail = Medium  
 Strut length (L) = 15.5'  
 Clear under strut (X) = 7.3'  
 Soil Type = C60

1. Determine EPL

$$EPL = (\text{Panel Length 1} + \text{Panel Length 2}) / (1/2)$$

$$EPL = (16' + 20') / (1/2) = 18'$$

2. Find W8x67 Chart for EPL = 16.1' to 20.0'

3. Refer to C60 section

4. Refer to Medium Duty Rail sub chart

5. Find X = 8' and follow row over until it hits column for L = 16'

## LINEAR RAIL & STRUT - ALLOWABLE DEPTH RATINGS

W8x67 Spreader Beams

EPL = 16.1' to 20.0'

CLEAR UNDER STRUT (X)	STANDARD DUTY RAIL						MEDIUM DUTY RAIL						C60 Soil
	Strut Length (L)						Strut Length (L)						
	8'	14'	16'	20'	24'	27'	8'	14'	16'	20'	24'	27'	
	ALLOWABLE DEPTH RATING						ALLOWABLE DEPTH RATING						
6.0'	31'	31'	28'	21'	16'	14'	40'	31'	28'	21'	16'	14'	
7.0'	25'	25'	25'	19'	15'	13'	33'	28'	25'	19'	15'	13'	
8.0'	21'	21'	21'	18'	14'	13'	27'	25'	23'	18'	14'	13'	
9.0'	18'	18'	18'	17'	14'	12'	23'	23'	21'	17'	14'	12'	
10.0'	17'	17'	17'	Allowable depth is 23' in C60 soil for this configuration			21'	21'	20'	16'	13'	12'	
11.0'	16'	16'	16'				19'	19'	19'	16'	13'	12'	
12.0'	15'	15'	15'				18'	18'	18'	15'	13'	12'	



# LINEAR RAIL & STRUT - ALLOWABLE DEPTH RATINGS

W8x67 Spreader Beams

EPL = 8.1' to 12.0'

CLEAR UNDER STRUT (X)	STANDARD DUTY RAIL						MEDIUM DUTY RAIL						A Soil
	Strut Length (L)						Strut Length (L)						
	8'	14'	16'	20'	24'	27'	8'	14'	16'	20'	24'	27'	
	ALLOWABLE DEPTH RATING						ALLOWABLE DEPTH RATING						
6.0'	40'	40'	40'	40'	40'	39'	40'	40'	40'	40'	40'	39'	
7.0'	40'	40'	40'	40'	40'	34'	40'	40'	40'	40'	40'	34'	
8.0'	40'	40'	40'	40'	37'	31'	40'	40'	40'	40'	37'	31'	
9.0'	40'	40'	40'	40'	33'	28'	40'	40'	40'	40'	33'	28'	
10.0'	40'	40'	40'	40'	31'	26'	40'	40'	40'	40'	31'	26'	
11.0'	38'	38'	38'	38'	28'	24'	40'	40'	40'	38'	28'	24'	
12.0'	34'	34'	34'	34'	27'	23'	40'	40'	40'	36'	27'	23'	

CLEAR UNDER STRUT (X)	STANDARD DUTY RAIL						MEDIUM DUTY RAIL						B Soil
	Strut Length (L)						Strut Length (L)						
	8'	14'	16'	20'	24'	27'	8'	14'	16'	20'	24'	27'	
	ALLOWABLE DEPTH RATING						ALLOWABLE DEPTH RATING						
6.0'	40'	40'	40'	40'	29'	24'	40'	40'	40'	40'	29'	24'	
7.0'	40'	40'	40'	35'	26'	22'	40'	40'	40'	35'	26'	22'	
8.0'	38'	38'	38'	32'	23'	20'	40'	40'	40'	32'	23'	20'	
9.0'	32'	32'	32'	29'	22'	19'	40'	40'	38'	29'	22'	19'	
10.0'	28'	28'	28'	27'	20'	18'	37'	37'	34'	27'	20'	18'	
11.0'	25'	25'	25'	25'	19'	17'	32'	32'	32'	25'	19'	17'	
12.0'	23'	23'	23'	23'	19'	17'	29'	29'	29'	24'	19'	17'	

CLEAR UNDER STRUT (X)	STANDARD DUTY RAIL						MEDIUM DUTY RAIL						C60 Soil
	Strut Length (L)						Strut Length (L)						
	8'	14'	16'	20'	24'	27'	8'	14'	16'	20'	24'	27'	
	ALLOWABLE DEPTH RATING						ALLOWABLE DEPTH RATING						
6.0'	40'	40'	40'	32'	23'	20'	40'	40'	40'	32'	23'	20'	
7.0'	37'	37'	37'	28'	21'	18'	40'	40'	37'	28'	21'	18'	
8.0'	31'	31'	31'	26'	19'	17'	40'	37'	33'	26'	19'	17'	
9.0'	26'	26'	26'	24'	18'	16'	34'	34'	30'	24'	18'	16'	
10.0'	23'	23'	23'	22'	17'	15'	30'	30'	28'	22'	17'	15'	
11.0'	21'	21'	21'	21'	17'	15'	26'	26'	26'	21'	17'	15'	
12.0'	19'	19'	19'	19'	16'	15'	24'	24'	24'	20'	16'	15'	

CLEAR UNDER STRUT (X)	STANDARD DUTY RAIL						MEDIUM DUTY RAIL						C80 Soil
	Strut Length (L)						Strut Length (L)						
	8'	14'	16'	20'	24'	27'	8'	14'	16'	20'	24'	27'	
	ALLOWABLE DEPTH RATING						ALLOWABLE DEPTH RATING						
6.0'	37'	37'	33'	25'	19'	16'	40'	37'	33'	25'	19'	16'	
7.0'	30'	30'	29'	23'	17'	15'	40'	33'	29'	23'	17'	15'	
8.0'	25'	25'	25'	21'	16'	14'	32'	30'	26'	21'	16'	14'	
9.0'	21'	21'	21'	19'	15'	14'	27'	27'	24'	19'	15'	14'	
10.0'	19'	19'	19'	18'	15'	13'	24'	24'	23'	18'	15'	13'	
11.0'	18'	18'	18'	18'	14'	13'	22'	22'	21'	18'	14'	13'	
12.0'	17'	17'	17'	17'	14'	13'	20'	20'	20'	17'	14'	13'	

**Notes:**

- 1) Refer to SRL-1 "Linear Rail & Strut Depth Rating Diagrams & Example" for additional information on use of these charts
- 2) Refer to GME SR-14-0 "GME Slide Rail Tabulated Data Package" for all general safety notes and limitations.
- 3) For (L) & (X) values that fall between the values listed in the charts above, always use rating for the next higher value (ie. L = 12' and X = 8.3', use values for L = 14' and X = 9').



CHART SRL-8W-12

Rev. 0





# LINEAR RAIL & STRUT - ALLOWABLE DEPTH RATINGS

## W8x67 Spreader Beams

EPL = 12.1' to 16.0'

CLEAR UNDER STRUT (X)	STANDARD DUTY RAIL						MEDIUM DUTY RAIL						A Soil
	Strut Length (L)						Strut Length (L)						
	8'	14'	16'	20'	24'	27'	8'	14'	16'	20'	24'	27'	
	ALLOWABLE DEPTH RATING						ALLOWABLE DEPTH RATING						
6.0'	40'	40'	40'	40'	37'	31'	40'	40'	40'	40'	37'	31'	
7.0'	40'	40'	40'	40'	33'	27'	40'	40'	40'	40'	33'	27'	
8.0'	40'	40'	40'	40'	29'	25'	40'	40'	40'	40'	29'	25'	
9.0'	40'	40'	40'	37'	27'	23'	40'	40'	40'	37'	27'	23'	
10.0'	35'	35'	35'	33'	25'	21'	40'	40'	40'	33'	25'	21'	
11.0'	31'	31'	31'	31'	23'	20'	40'	40'	40'	31'	23'	20'	
12.0'	28'	28'	28'	28'	22'	19'	36'	36'	36'	29'	22'	19'	

CLEAR UNDER STRUT (X)	STANDARD DUTY RAIL						MEDIUM DUTY RAIL						B Soil
	Strut Length (L)						Strut Length (L)						
	8'	14'	16'	20'	24'	27'	8'	14'	16'	20'	24'	27'	
	ALLOWABLE DEPTH RATING						ALLOWABLE DEPTH RATING						
6.0'	40'	40'	40'	32'	23'	20'	40'	40'	40'	32'	23'	20'	
7.0'	37'	37'	37'	28'	21'	18'	40'	40'	37'	28'	21'	18'	
8.0'	31'	31'	31'	26'	19'	17'	40'	37'	33'	26'	19'	17'	
9.0'	26'	26'	26'	24'	18'	16'	34'	34'	30'	24'	18'	16'	
10.0'	23'	23'	23'	22'	17'	15'	30'	30'	28'	22'	17'	15'	
11.0'	21'	21'	21'	21'	17'	15'	26'	26'	26'	21'	17'	15'	
12.0'	19'	19'	19'	19'	16'	15'	24'	24'	24'	20'	16'	15'	

CLEAR UNDER STRUT (X)	STANDARD DUTY RAIL						MEDIUM DUTY RAIL						C60 Soil
	Strut Length (L)						Strut Length (L)						
	8'	14'	16'	20'	24'	27'	8'	14'	16'	20'	24'	27'	
	ALLOWABLE DEPTH RATING						ALLOWABLE DEPTH RATING						
6.0'	37'	37'	33'	25'	19'	16'	40'	37'	33'	25'	19'	16'	
7.0'	30'	30'	29'	23'	17'	15'	40'	33'	29'	23'	17'	15'	
8.0'	25'	25'	25'	21'	16'	14'	32'	30'	26'	21'	16'	14'	
9.0'	21'	21'	21'	19'	15'	14'	27'	27'	24'	19'	15'	14'	
10.0'	19'	19'	19'	18'	15'	13'	24'	24'	23'	18'	15'	13'	
11.0'	18'	18'	18'	18'	14'	13'	22'	22'	21'	18'	14'	13'	
12.0'	17'	17'	17'	17'	14'	13'	20'	20'	20'	17'	14'	13'	

CLEAR UNDER STRUT (X)	STANDARD DUTY RAIL						MEDIUM DUTY RAIL						C80 Soil
	Strut Length (L)						Strut Length (L)						
	8'	14'	16'	20'	24'	27'	8'	14'	16'	20'	24'	27'	
	ALLOWABLE DEPTH RATING						ALLOWABLE DEPTH RATING						
6.0'	30'	29'	26'	20'	15'	14'	38'	29'	26'	20'	15'	14'	
7.0'	24'	24'	24'	19'	14'	13'	31'	26'	24'	19'	14'	13'	
8.0'	20'	20'	20'	17'	14'	12'	26'	24'	22'	17'	14'	12'	
9.0'	18'	18'	18'	16'	13'	12'	22'	22'	20'	16'	13'	12'	
10.0'	16'	16'	16'	16'	13'	12'	20'	20'	19'	16'	13'	12'	
11.0'	15'	15'	15'	15'	13'	12'	18'	18'	18'	15'	13'	12'	
12.0'	15'	15'	15'	15'	13'	12'	17'	17'	17'	15'	13'	12'	

**Notes:**

- 1) Refer to SRL-1 "Linear Rail & Strut Depth Rating Diagrams & Example" for additional information on use of these charts
- 2) Refer to GMESR-14-0 "GME Slide Rail Tabulated Data Package" for all general safety notes and limitations.
- 3) For (L) & (X) values that fall between the values listed in the charts above, always use rating for the next higher value (ie. L = 12' and X = 8.3', use values for L = 14' and X = 9').



CHART SRL-8W-16

Rev. 0



MAR 02 2015



# LINEAR RAIL & STRUT - ALLOWABLE DEPTH RATINGS

W8x67 Spreader Beams

EPL = 16.1' to 20.0'

CLEAR UNDER STRUT (X)	STANDARD DUTY RAIL						MEDIUM DUTY RAIL						A Soil
	Strut Length (L)						Strut Length (L)						
	8'	14'	16'	20'	24'	27'	8'	14'	16'	20'	24'	27'	
	ALLOWABLE DEPTH RATING						ALLOWABLE DEPTH RATING						
6.0'	40'	40'	40'	40'	31'	26'	40'	40'	40'	40'	31'	26'	
7.0'	40'	40'	40'	38'	27'	23'	40'	40'	40'	38'	27'	23'	
8.0'	40'	40'	40'	34'	25'	21'	40'	40'	40'	34'	25'	21'	
9.0'	34'	34'	34'	31'	23'	20'	40'	40'	40'	31'	23'	20'	
10.0'	30'	30'	30'	28'	21'	19'	39'	39'	36'	28'	21'	19'	
11.0'	26'	26'	26'	26'	20'	18'	34'	34'	34'	26'	20'	18'	
12.0'	24'	24'	24'	24'	19'	17'	31'	31'	31'	25'	19'	17'	

CLEAR UNDER STRUT (X)	STANDARD DUTY RAIL						MEDIUM DUTY RAIL						B Soil
	Strut Length (L)						Strut Length (L)						
	8'	14'	16'	20'	24'	27'	8'	14'	16'	20'	24'	27'	
	ALLOWABLE DEPTH RATING						ALLOWABLE DEPTH RATING						
6.0'	40'	39'	35'	26'	20'	17'	40'	39'	35'	26'	20'	17'	
7.0'	31'	31'	31'	24'	18'	16'	40'	35'	31'	24'	18'	16'	
8.0'	26'	26'	26'	22'	17'	15'	34'	31'	28'	22'	17'	15'	
9.0'	22'	22'	22'	20'	16'	14'	29'	28'	25'	20'	16'	14'	
10.0'	20'	20'	20'	19'	15'	14'	25'	25'	24'	19'	15'	14'	
11.0'	18'	18'	18'	18'	15'	14'	23'	23'	22'	18'	15'	14'	
12.0'	17'	17'	17'	17'	15'	13'	21'	21'	21'	18'	15'	13'	

CLEAR UNDER STRUT (X)	STANDARD DUTY RAIL						MEDIUM DUTY RAIL						C60 Soil
	Strut Length (L)						Strut Length (L)						
	8'	14'	16'	20'	24'	27'	8'	14'	16'	20'	24'	27'	
	ALLOWABLE DEPTH RATING						ALLOWABLE DEPTH RATING						
6.0'	31'	31'	28'	21'	16'	14'	40'	31'	28'	21'	16'	14'	
7.0'	25'	25'	25'	19'	15'	13'	33'	28'	25'	19'	15'	13'	
8.0'	21'	21'	21'	18'	14'	13'	27'	25'	23'	18'	14'	13'	
9.0'	18'	18'	18'	17'	14'	12'	23'	23'	21'	17'	14'	12'	
10.0'	17'	17'	17'	16'	13'	12'	21'	21'	20'	16'	13'	12'	
11.0'	16'	16'	16'	16'	13'	12'	19'	19'	19'	16'	13'	12'	
12.0'	15'	15'	15'	15'	13'	12'	18'	18'	18'	15'	13'	12'	

CLEAR UNDER STRUT (X)	STANDARD DUTY RAIL						MEDIUM DUTY RAIL						C80 Soil
	Strut Length (L)						Strut Length (L)						
	8'	14'	16'	20'	24'	27'	8'	14'	16'	20'	24'	27'	
	ALLOWABLE DEPTH RATING						ALLOWABLE DEPTH RATING						
6.0'	25'	25'	22'	17'	14'	12'	32'	25'	22'	17'	14'	12'	
7.0'	20'	20'	20'	16'	13'	11'	26'	22'	20'	16'	13'	11'	
8.0'	17'	17'	17'	15'	12'	11'	22'	20'	19'	15'	12'	11'	
9.0'	16'	16'	16'	15'	12'	11'	19'	19'	17'	15'	12'	11'	
10.0'	15'	15'	15'	14'	12'	11'	18'	18'	17'	14'	12'	11'	
11.0'	14'	14'	14'	14'	12'	11'	16'	16'	16'	14'	12'	11'	
12.0'	13'	13'	13'	13'	12'	NA	16'	16'	16'	14'	12'	NA	

**Notes:**

- 1) Refer to SRL-1 "Linear Rail & Strut Depth Rating Diagrams & Example" for additional information on use of these charts
- 2) Refer to GMESR-14-0 "GME Slide Rail Tabulated Data Package" for all general safety notes and limitations.
- 3) For (L) & (X) values that fall between the values listed in the charts above, always use rating for the next higher value (ie. L = 12' and X = 8.3', use values for L = 14' and X = 9').



CHART SRL-8W-20

Rev. 0



MAR 02 2015



# LINEAR RAIL & STRUT - ALLOWABLE DEPTH RATINGS

## W8x67 Spreader Beams

EPL = 20.1' to 24.0'

CLEAR UNDER STRUT (X)	STANDARD DUTY RAIL						MEDIUM DUTY RAIL						A Soil
	Strut Length (L)						Strut Length (L)						
	8'	14'	16'	20'	24'	27'	8'	14'	16'	20'	24'	27'	
ALLOWABLE DEPTH RATING							ALLOWABLE DEPTH RATING						
6.0'	40'	40'	40'	37'	26'	22'	40'	40'	40'	37'	26'	22'	
7.0'	40'	40'	40'	33'	24'	20'	40'	40'	40'	33'	24'	20'	
8.0'	35'	35'	35'	29'	22'	19'	40'	40'	38'	29'	22'	19'	
9.0'	30'	30'	30'	27'	20'	18'	40'	39'	35'	27'	20'	18'	
10.0'	26'	26'	26'	25'	19'	17'	34'	34'	32'	25'	19'	17'	
11.0'	23'	23'	23'	23'	18'	16'	30'	30'	29'	23'	18'	16'	
12.0'	21'	21'	21'	21'	18'	16'	27'	27'	27'	22'	18'	16'	

CLEAR UNDER STRUT (X)	STANDARD DUTY RAIL						MEDIUM DUTY RAIL						B Soil
	Strut Length (L)						Strut Length (L)						
	8'	14'	16'	20'	24'	27'	8'	14'	16'	20'	24'	27'	
ALLOWABLE DEPTH RATING							ALLOWABLE DEPTH RATING						
6.0'	34'	34'	30'	23'	17'	15'	40'	34'	30'	23'	17'	15'	
7.0'	27'	27'	27'	21'	16'	14'	36'	30'	27'	21'	16'	14'	
8.0'	23'	23'	23'	19'	15'	13'	29'	27'	24'	19'	15'	13'	
9.0'	20'	20'	20'	18'	14'	13'	25'	25'	22'	18'	14'	13'	
10.0'	18'	18'	18'	17'	14'	13'	22'	22'	21'	17'	14'	13'	
11.0'	17'	17'	17'	17'	14'	13'	20'	20'	20'	17'	14'	13'	
12.0'	16'	16'	16'	16'	14'	13'	19'	19'	19'	16'	14'	13'	

CLEAR UNDER STRUT (X)	STANDARD DUTY RAIL						MEDIUM DUTY RAIL						C60 Soil
	Strut Length (L)						Strut Length (L)						
	8'	14'	16'	20'	24'	27'	8'	14'	16'	20'	24'	27'	
ALLOWABLE DEPTH RATING							ALLOWABLE DEPTH RATING						
6.0'	27'	27'	24'	19'	14'	13'	35'	27'	24'	19'	14'	13'	
7.0'	22'	22'	22'	17'	14'	12'	28'	24'	22'	17'	14'	12'	
8.0'	19'	19'	19'	16'	13'	12'	24'	22'	20'	16'	13'	12'	
9.0'	17'	17'	17'	15'	13'	12'	21'	20'	19'	15'	13'	12'	
10.0'	15'	15'	15'	15'	12'	12'	19'	19'	18'	15'	12'	12'	
11.0'	15'	15'	15'	14'	12'	12'	17'	17'	17'	14'	12'	12'	
12.0'	14'	14'	14'	14'	12'	NA	16'	16'	16'	14'	12'	NA	

CLEAR UNDER STRUT (X)	STANDARD DUTY RAIL						MEDIUM DUTY RAIL						C80 Soil
	Strut Length (L)						Strut Length (L)						
	8'	14'	16'	20'	24'	27'	8'	14'	16'	20'	24'	27'	
ALLOWABLE DEPTH RATING							ALLOWABLE DEPTH RATING						
6.0'	22'	22'	19'	15'	12'	11'	27'	22'	19'	15'	12'	11'	
7.0'	18'	18'	18'	14'	12'	11'	23'	20'	18'	14'	12'	11'	
8.0'	16'	16'	16'	14'	11'	10'	20'	18'	17'	14'	11'	10'	
9.0'	14'	14'	14'	13'	11'	10'	17'	17'	16'	13'	11'	10'	
10.0'	13'	13'	13'	13'	11'	11'	16'	16'	15'	13'	11'	11'	
11.0'	13'	13'	13'	13'	11'	NA	15'	15'	15'	13'	11'	NA	
12.0'	13'	13'	13'	13'	NA	NA	14'	14'	14'	13'	NA	NA	

**Notes:**

- 1) Refer to SRL-1 "Linear Rail & Strut Depth Rating Diagrams & Example" for additional information on use of these charts
- 2) Refer to GMESR-14-0 "GME Slide Rail Tabulated Data Package" for all general safety notes and limitations.
- 3) For (L) & (X) values that fall between the values listed in the charts above, always use rating for the next higher value (ie. L = 12' and X = 8.3', use values for L = 14' and X = 9').



CHART SRL-8W-24

Rev. 0





# LINEAR RAIL & STRUT - ALLOWABLE DEPTH RATINGS

W14x109 Spreader Beams

EPL = 8.1' to 12.0'

CLEAR UNDER STRUT (X)	STANDARD DUTY RAIL						MEDIUM DUTY RAIL						A Soil
	Strut Length (L)						Strut Length (L)						
	8'	14'	16'	20'	24'	27'	8'	14'	16'	20'	24'	27'	
	ALLOWABLE DEPTH RATING						ALLOWABLE DEPTH RATING						
6.0'	40'	40'	40'	40'	40'	40'	40'	40'	40'	40'	40'	40'	
7.0'	40'	40'	40'	40'	40'	40'	40'	40'	40'	40'	40'	40'	
8.0'	40'	40'	40'	40'	40'	40'	40'	40'	40'	40'	40'	40'	
9.0'	40'	40'	40'	40'	40'	40'	40'	40'	40'	40'	40'	40'	
10.0'	40'	40'	40'	40'	40'	40'	40'	40'	40'	40'	40'	40'	
11.0'	38'	38'	38'	38'	38'	38'	40'	40'	40'	40'	40'	40'	
12.0'	34'	34'	34'	34'	34'	34'	40'	40'	40'	40'	40'	40'	

CLEAR UNDER STRUT (X)	STANDARD DUTY RAIL						MEDIUM DUTY RAIL						B Soil
	Strut Length (L)						Strut Length (L)						
	8'	14'	16'	20'	24'	27'	8'	14'	16'	20'	24'	27'	
	ALLOWABLE DEPTH RATING						ALLOWABLE DEPTH RATING						
6.0'	40'	40'	40'	40'	40'	40'	40'	40'	40'	40'	40'	40'	
7.0'	40'	40'	40'	40'	40'	40'	40'	40'	40'	40'	40'	40'	
8.0'	38'	38'	38'	38'	38'	38'	40'	40'	40'	40'	40'	40'	
9.0'	32'	32'	32'	32'	32'	32'	40'	40'	40'	40'	40'	40'	
10.0'	28'	28'	28'	28'	28'	28'	37'	37'	37'	37'	37'	37'	
11.0'	25'	25'	25'	25'	25'	25'	32'	32'	32'	32'	32'	32'	
12.0'	23'	23'	23'	23'	23'	23'	29'	29'	29'	29'	29'	29'	

CLEAR UNDER STRUT (X)	STANDARD DUTY RAIL						MEDIUM DUTY RAIL						C60 Soil
	Strut Length (L)						Strut Length (L)						
	8'	14'	16'	20'	24'	27'	8'	14'	16'	20'	24'	27'	
	ALLOWABLE DEPTH RATING						ALLOWABLE DEPTH RATING						
6.0'	40'	40'	40'	40'	40'	40'	40'	40'	40'	40'	40'	40'	
7.0'	37'	37'	37'	37'	37'	37'	40'	40'	40'	40'	40'	40'	
8.0'	31'	31'	31'	31'	31'	31'	40'	40'	40'	40'	40'	40'	
9.0'	26'	26'	26'	26'	26'	26'	34'	34'	34'	34'	34'	34'	
10.0'	23'	23'	23'	23'	23'	23'	30'	30'	30'	30'	30'	30'	
11.0'	21'	21'	21'	21'	21'	21'	26'	26'	26'	26'	26'	26'	
12.0'	19'	19'	19'	19'	19'	19'	24'	24'	24'	24'	24'	24'	

CLEAR UNDER STRUT (X)	STANDARD DUTY RAIL						MEDIUM DUTY RAIL						C80 Soil
	Strut Length (L)						Strut Length (L)						
	8'	14'	16'	20'	24'	27'	8'	14'	16'	20'	24'	27'	
	ALLOWABLE DEPTH RATING						ALLOWABLE DEPTH RATING						
6.0'	37'	37'	37'	37'	37'	37'	40'	40'	40'	40'	40'	40'	
7.0'	30'	30'	30'	30'	30'	30'	40'	40'	40'	40'	40'	40'	
8.0'	25'	25'	25'	25'	25'	25'	32'	32'	32'	32'	32'	32'	
9.0'	21'	21'	21'	21'	21'	21'	27'	27'	27'	27'	27'	27'	
10.0'	19'	19'	19'	19'	19'	19'	24'	24'	24'	24'	24'	24'	
11.0'	18'	18'	18'	18'	18'	18'	22'	22'	22'	22'	22'	22'	
12.0'	17'	17'	17'	17'	17'	17'	20'	20'	20'	20'	20'	20'	

**Notes:**

- 1) Refer to SRL-1 "Linear Rail & Strut Depth Rating Diagrams & Example" for additional information on use of these charts
- 2) Refer to GMESR-14-0 "GME Slide Rail Tabulated Data Package" for all general safety notes and limitations.
- 3) For (L) & (X) values that fall between the values listed in the charts above, always use rating for the next higher value (ie. L = 12' and X = 8.3', use values for L = 14' and X = 9').



CHART SRL-14W-12

Rev. 0





# LINEAR RAIL & STRUT - ALLOWABLE DEPTH RATINGS

W14x109 Spreader Beams

EPL = 12.1' to 16.0'

CLEAR UNDER STRUT (X)	STANDARD DUTY RAIL						MEDIUM DUTY RAIL						A Soil
	Strut Length (L)						Strut Length (L)						
	8'	14'	16'	20'	24'	27'	8'	14'	16'	20'	24'	27'	
	ALLOWABLE DEPTH RATING						ALLOWABLE DEPTH RATING						
6.0'	40'	40'	40'	40'	40'	40'	40'	40'	40'	40'	40'	40'	
7.0'	40'	40'	40'	40'	40'	40'	40'	40'	40'	40'	40'	40'	
8.0'	40'	40'	40'	40'	40'	40'	40'	40'	40'	40'	40'	40'	
9.0'	40'	40'	40'	40'	40'	40'	40'	40'	40'	40'	40'	40'	
10.0'	35'	35'	35'	35'	35'	35'	40'	40'	40'	40'	40'	40'	
11.0'	31'	31'	31'	31'	31'	31'	40'	40'	40'	40'	40'	40'	
12.0'	28'	28'	28'	28'	28'	28'	36'	36'	36'	36'	36'	36'	

CLEAR UNDER STRUT (X)	STANDARD DUTY RAIL						MEDIUM DUTY RAIL						B Soil
	Strut Length (L)						Strut Length (L)						
	8'	14'	16'	20'	24'	27'	8'	14'	16'	20'	24'	27'	
	ALLOWABLE DEPTH RATING						ALLOWABLE DEPTH RATING						
6.0'	40'	40'	40'	40'	40'	40'	40'	40'	40'	40'	40'	40'	
7.0'	37'	37'	37'	37'	37'	37'	40'	40'	40'	40'	40'	40'	
8.0'	31'	31'	31'	31'	31'	31'	40'	40'	40'	40'	40'	40'	
9.0'	26'	26'	26'	26'	26'	26'	34'	34'	34'	34'	34'	34'	
10.0'	23'	23'	23'	23'	23'	23'	30'	30'	30'	30'	30'	30'	
11.0'	21'	21'	21'	21'	21'	21'	26'	26'	26'	26'	26'	26'	
12.0'	19'	19'	19'	19'	19'	19'	24'	24'	24'	24'	24'	24'	

CLEAR UNDER STRUT (X)	STANDARD DUTY RAIL						MEDIUM DUTY RAIL						C60 Soil
	Strut Length (L)						Strut Length (L)						
	8'	14'	16'	20'	24'	27'	8'	14'	16'	20'	24'	27'	
	ALLOWABLE DEPTH RATING						ALLOWABLE DEPTH RATING						
6.0'	37'	37'	37'	37'	37'	37'	40'	40'	40'	40'	40'	40'	
7.0'	30'	30'	30'	30'	30'	30'	40'	40'	40'	40'	40'	40'	
8.0'	25'	25'	25'	25'	25'	25'	32'	32'	32'	32'	32'	32'	
9.0'	21'	21'	21'	21'	21'	21'	27'	27'	27'	27'	27'	27'	
10.0'	19'	19'	19'	19'	19'	19'	24'	24'	24'	24'	24'	24'	
11.0'	18'	18'	18'	18'	18'	18'	22'	22'	22'	22'	22'	22'	
12.0'	17'	17'	17'	17'	17'	17'	20'	20'	20'	20'	20'	20'	

CLEAR UNDER STRUT (X)	STANDARD DUTY RAIL						MEDIUM DUTY RAIL						C80 Soil
	Strut Length (L)						Strut Length (L)						
	8'	14'	16'	20'	24'	27'	8'	14'	16'	20'	24'	27'	
	ALLOWABLE DEPTH RATING						ALLOWABLE DEPTH RATING						
6.0'	30'	30'	30'	30'	30'	30'	40'	40'	40'	40'	40'	40'	
7.0'	24'	24'	24'	24'	24'	24'	31'	31'	31'	31'	31'	31'	
8.0'	20'	20'	20'	20'	20'	20'	26'	26'	26'	26'	26'	26'	
9.0'	18'	18'	18'	18'	18'	18'	22'	22'	22'	22'	22'	22'	
10.0'	16'	16'	16'	16'	16'	16'	20'	20'	20'	20'	20'	20'	
11.0'	15'	15'	15'	15'	15'	15'	18'	18'	18'	18'	18'	18'	
12.0'	15'	15'	15'	15'	15'	15'	17'	17'	17'	17'	17'	17'	

**Notes:**

- 1) Refer to SRL-1 "Linear Rail & Strut Depth Rating Diagrams & Example" for additional information on use of these charts
- 2) Refer to GMESR-14-0 "GME Slide Rail Tabulated Data Package" for all general safety notes and limitations.
- 3) For (L) & (X) values that fall between the values listed in the charts above, always use rating for the next higher value (ie. L = 12' and X = 8.3', use values for L = 14' and X = 9').



CHART SRL-14W-16

Rev. 0





# LINEAR RAIL & STRUT - ALLOWABLE DEPTH RATINGS

W14x109 Spreader Beams

EPL = 16.1' to 20.0'

CLEAR UNDER STRUT (X)	STANDARD DUTY RAIL						MEDIUM DUTY RAIL						A Soil
	Strut Length (L)						Strut Length (L)						
	8'	14'	16'	20'	24'	27'	8'	14'	16'	20'	24'	27'	
	ALLOWABLE DEPTH RATING						ALLOWABLE DEPTH RATING						
6.0'	40'	40'	40'	40'	40'	40'	40'	40'	40'	40'	40'	40'	
7.0'	40'	40'	40'	40'	40'	40'	40'	40'	40'	40'	40'	40'	
8.0'	40'	40'	40'	40'	40'	40'	40'	40'	40'	40'	40'	40'	
9.0'	34'	34'	34'	34'	34'	34'	40'	40'	40'	40'	40'	40'	
10.0'	30'	30'	30'	30'	30'	30'	39'	39'	39'	39'	39'	39'	
11.0'	26'	26'	26'	26'	26'	26'	34'	34'	34'	34'	34'	34'	
12.0'	24'	24'	24'	24'	24'	24'	31'	31'	31'	31'	31'	31'	

CLEAR UNDER STRUT (X)	STANDARD DUTY RAIL						MEDIUM DUTY RAIL						B Soil
	Strut Length (L)						Strut Length (L)						
	8'	14'	16'	20'	24'	27'	8'	14'	16'	20'	24'	27'	
	ALLOWABLE DEPTH RATING						ALLOWABLE DEPTH RATING						
6.0'	40'	40'	40'	40'	40'	40'	40'	40'	40'	40'	40'	40'	
7.0'	31'	31'	31'	31'	31'	31'	40'	40'	40'	40'	40'	40'	
8.0'	26'	26'	26'	26'	26'	26'	34'	34'	34'	34'	34'	34'	
9.0'	22'	22'	22'	22'	22'	22'	29'	29'	29'	29'	29'	29'	
10.0'	20'	20'	20'	20'	20'	20'	25'	25'	25'	25'	25'	25'	
11.0'	18'	18'	18'	18'	18'	18'	23'	23'	23'	23'	23'	23'	
12.0'	17'	17'	17'	17'	17'	17'	21'	21'	21'	21'	21'	21'	

CLEAR UNDER STRUT (X)	STANDARD DUTY RAIL						MEDIUM DUTY RAIL						C60 Soil
	Strut Length (L)						Strut Length (L)						
	8'	14'	16'	20'	24'	27'	8'	14'	16'	20'	24'	27'	
	ALLOWABLE DEPTH RATING						ALLOWABLE DEPTH RATING						
6.0'	31'	31'	31'	31'	31'	31'	40'	40'	40'	40'	40'	40'	
7.0'	25'	25'	25'	25'	25'	25'	33'	33'	33'	33'	33'	33'	
8.0'	21'	21'	21'	21'	21'	21'	27'	27'	27'	27'	27'	27'	
9.0'	18'	18'	18'	18'	18'	18'	23'	23'	23'	23'	23'	23'	
10.0'	17'	17'	17'	17'	17'	17'	21'	21'	21'	21'	21'	21'	
11.0'	16'	16'	16'	16'	16'	16'	19'	19'	19'	19'	19'	19'	
12.0'	15'	15'	15'	15'	15'	15'	18'	18'	18'	18'	18'	18'	

CLEAR UNDER STRUT (X)	STANDARD DUTY RAIL						MEDIUM DUTY RAIL						C80 Soil
	Strut Length (L)						Strut Length (L)						
	8'	14'	16'	20'	24'	27'	8'	14'	16'	20'	24'	27'	
	ALLOWABLE DEPTH RATING						ALLOWABLE DEPTH RATING						
6.0'	25'	25'	25'	25'	25'	25'	33'	33'	33'	33'	33'	33'	
7.0'	20'	20'	20'	20'	20'	20'	26'	26'	26'	26'	26'	26'	
8.0'	17'	17'	17'	17'	17'	17'	22'	22'	22'	22'	22'	22'	
9.0'	16'	16'	16'	16'	16'	16'	19'	19'	19'	19'	19'	19'	
10.0'	15'	15'	15'	15'	15'	15'	18'	18'	18'	18'	18'	18'	
11.0'	14'	14'	14'	14'	14'	14'	16'	16'	16'	16'	16'	16'	
12.0'	13'	13'	13'	13'	13'	13'	16'	16'	16'	16'	16'	16'	

**Notes:**

- 1) Refer to SRL-1 "Linear Rail & Strut Depth Rating Diagrams & Example" for additional information on use of these charts
- 2) Refer to GMESR-14-0 "GME Slide Rail Tabulated Data Package" for all general safety notes and limitations.
- 3) For (L) & (X) values that fall between the values listed in the charts above, always use rating for the next higher value (ie. L = 12' and X = 8.3', use values for L = 14' and X = 9').



CHART SRL-14W-20

Rev. 0





# LINEAR RAIL & STRUT - ALLOWABLE DEPTH RATINGS

W14x109 Spreader Beams

EPL = 20.1' to 24.0'

CLEAR UNDER STRUT (X)	STANDARD DUTY RAIL						MEDIUM DUTY RAIL						A Soil
	Strut Length (L)						Strut Length (L)						
	8'	14'	16'	20'	24'	27'	8'	14'	16'	20'	24'	27'	
ALLOWABLE DEPTH RATING						ALLOWABLE DEPTH RATING							
6.0'	40'	40'	40'	40'	40'	40'	40'	40'	40'	40'	40'	40'	40'
7.0'	40'	40'	40'	40'	40'	40'	40'	40'	40'	40'	40'	40'	40'
8.0'	35'	35'	35'	35'	35'	35'	40'	40'	40'	40'	40'	40'	40'
9.0'	30'	30'	30'	30'	30'	30'	40'	40'	40'	40'	40'	40'	40'
10.0'	26'	26'	26'	26'	26'	26'	34'	34'	34'	34'	34'	34'	34'
11.0'	23'	23'	23'	23'	23'	23'	30'	30'	30'	30'	30'	30'	30'
12.0'	21'	21'	21'	21'	21'	21'	27'	27'	27'	27'	27'	27'	27'

CLEAR UNDER STRUT (X)	STANDARD DUTY RAIL						MEDIUM DUTY RAIL						B Soil
	Strut Length (L)						Strut Length (L)						
	8'	14'	16'	20'	24'	27'	8'	14'	16'	20'	24'	27'	
ALLOWABLE DEPTH RATING						ALLOWABLE DEPTH RATING							
6.0'	34'	34'	34'	34'	34'	34'	40'	40'	40'	40'	40'	40'	40'
7.0'	27'	27'	27'	27'	27'	27'	36'	36'	36'	36'	36'	36'	36'
8.0'	23'	23'	23'	23'	23'	23'	29'	29'	29'	29'	29'	29'	29'
9.0'	20'	20'	20'	20'	20'	20'	25'	25'	25'	25'	25'	25'	25'
10.0'	18'	18'	18'	18'	18'	18'	22'	22'	22'	22'	22'	22'	22'
11.0'	17'	17'	17'	17'	17'	17'	20'	20'	20'	20'	20'	20'	20'
12.0'	16'	16'	16'	16'	16'	16'	19'	19'	19'	19'	19'	19'	19'

CLEAR UNDER STRUT (X)	STANDARD DUTY RAIL						MEDIUM DUTY RAIL						C60 Soil
	Strut Length (L)						Strut Length (L)						
	8'	14'	16'	20'	24'	27'	8'	14'	16'	20'	24'	27'	
ALLOWABLE DEPTH RATING						ALLOWABLE DEPTH RATING							
6.0'	27'	27'	27'	27'	27'	27'	36'	36'	36'	36'	36'	36'	36'
7.0'	22'	22'	22'	22'	22'	22'	28'	28'	28'	28'	28'	28'	28'
8.0'	19'	19'	19'	19'	19'	19'	24'	24'	24'	24'	24'	24'	24'
9.0'	17'	17'	17'	17'	17'	17'	21'	21'	21'	21'	21'	21'	21'
10.0'	15'	15'	15'	15'	15'	15'	19'	19'	19'	19'	19'	19'	19'
11.0'	15'	15'	15'	15'	15'	15'	17'	17'	17'	17'	17'	17'	17'
12.0'	14'	14'	14'	14'	14'	14'	16'	16'	16'	16'	16'	16'	16'

CLEAR UNDER STRUT (X)	STANDARD DUTY RAIL						MEDIUM DUTY RAIL						C80 Soil
	Strut Length (L)						Strut Length (L)						
	8'	14'	16'	20'	24'	27'	8'	14'	16'	20'	24'	27'	
ALLOWABLE DEPTH RATING						ALLOWABLE DEPTH RATING							
6.0'	22'	22'	22'	22'	22'	22'	28'	28'	28'	28'	28'	28'	28'
7.0'	18'	18'	18'	18'	18'	18'	23'	23'	23'	23'	23'	23'	23'
8.0'	16'	16'	16'	16'	16'	16'	20'	20'	20'	20'	20'	20'	20'
9.0'	14'	14'	14'	14'	14'	14'	17'	17'	17'	17'	17'	17'	17'
10.0'	13'	13'	13'	13'	13'	13'	16'	16'	16'	16'	16'	16'	16'
11.0'	13'	13'	13'	13'	13'	13'	15'	15'	15'	15'	15'	15'	15'
12.0'	13'	13'	13'	13'	13'	13'	14'	14'	14'	14'	14'	14'	14'

**Notes:**

- 1) Refer to SRL-1 "Linear Rail & Strut Depth Rating Diagrams & Example" for additional information on use of these charts
- 2) Refer to GMESR-14-0 "GME Slide Rail Tabulated Data Package" for all general safety notes and limitations.
- 3) For (L) & (X) values that fall between the values listed in the charts above, always use rating for the next higher value (ie. L = 12' and X = 8.3', use values for L = 14' and X = 9').



**CHART SRL-14W-24**

Rev. 0





# LINEAR RAIL & STRUT - ALLOWABLE DEPTH RATINGS

W14x120 Spreader Beams

EPL = 8.1' to 12.0'

CLEAR UNDER STRUT (X)	STANDARD DUTY RAIL						MEDIUM DUTY RAIL						A Soil
	Strut Length (L)						Strut Length (L)						
	8'	14'	16'	20'	24'	27'	8'	14'	16'	20'	24'	27'	
	ALLOWABLE DEPTH RATING						ALLOWABLE DEPTH RATING						
6.0'	40'	40'	40'	40'	40'	40'	40'	40'	40'	40'	40'	40'	40'
7.0'	40'	40'	40'	40'	40'	40'	40'	40'	40'	40'	40'	40'	40'
8.0'	40'	40'	40'	40'	40'	40'	40'	40'	40'	40'	40'	40'	40'
9.0'	40'	40'	40'	40'	40'	40'	40'	40'	40'	40'	40'	40'	40'
10.0'	40'	40'	40'	40'	40'	40'	40'	40'	40'	40'	40'	40'	40'
11.0'	38'	38'	38'	38'	38'	38'	40'	40'	40'	40'	40'	40'	40'
12.0'	34'	34'	34'	34'	34'	34'	40'	40'	40'	40'	40'	40'	40'

CLEAR UNDER STRUT (X)	STANDARD DUTY RAIL						MEDIUM DUTY RAIL						B Soil
	Strut Length (L)						Strut Length (L)						
	8'	14'	16'	20'	24'	27'	8'	14'	16'	20'	24'	27'	
	ALLOWABLE DEPTH RATING						ALLOWABLE DEPTH RATING						
6.0'	40'	40'	40'	40'	40'	40'	40'	40'	40'	40'	40'	40'	40'
7.0'	40'	40'	40'	40'	40'	40'	40'	40'	40'	40'	40'	40'	40'
8.0'	38'	38'	38'	38'	38'	38'	40'	40'	40'	40'	40'	40'	40'
9.0'	32'	32'	32'	32'	32'	32'	40'	40'	40'	40'	40'	40'	40'
10.0'	28'	28'	28'	28'	28'	28'	37'	37'	37'	37'	37'	37'	37'
11.0'	25'	25'	25'	25'	25'	25'	32'	32'	32'	32'	32'	32'	32'
12.0'	23'	23'	23'	23'	23'	23'	29'	29'	29'	29'	29'	29'	29'

CLEAR UNDER STRUT (X)	STANDARD DUTY RAIL						MEDIUM DUTY RAIL						C60 Soil
	Strut Length (L)						Strut Length (L)						
	8'	14'	16'	20'	24'	27'	8'	14'	16'	20'	24'	27'	
	ALLOWABLE DEPTH RATING						ALLOWABLE DEPTH RATING						
6.0'	40'	40'	40'	40'	40'	40'	40'	40'	40'	40'	40'	40'	40'
7.0'	37'	37'	37'	37'	37'	37'	40'	40'	40'	40'	40'	40'	40'
8.0'	31'	31'	31'	31'	31'	31'	40'	40'	40'	40'	40'	40'	40'
9.0'	26'	26'	26'	26'	26'	26'	34'	34'	34'	34'	34'	34'	34'
10.0'	23'	23'	23'	23'	23'	23'	30'	30'	30'	30'	30'	30'	30'
11.0'	21'	21'	21'	21'	21'	21'	26'	26'	26'	26'	26'	26'	26'
12.0'	19'	19'	19'	19'	19'	19'	24'	24'	24'	24'	24'	24'	24'

CLEAR UNDER STRUT (X)	STANDARD DUTY RAIL						MEDIUM DUTY RAIL						C80 Soil
	Strut Length (L)						Strut Length (L)						
	8'	14'	16'	20'	24'	27'	8'	14'	16'	20'	24'	27'	
	ALLOWABLE DEPTH RATING						ALLOWABLE DEPTH RATING						
6.0'	37'	37'	37'	37'	37'	37'	40'	40'	40'	40'	40'	40'	40'
7.0'	30'	30'	30'	30'	30'	30'	40'	40'	40'	40'	40'	40'	40'
8.0'	25'	25'	25'	25'	25'	25'	32'	32'	32'	32'	32'	32'	32'
9.0'	21'	21'	21'	21'	21'	21'	27'	27'	27'	27'	27'	27'	27'
10.0'	19'	19'	19'	19'	19'	19'	24'	24'	24'	24'	24'	24'	24'
11.0'	18'	18'	18'	18'	18'	18'	22'	22'	22'	22'	22'	22'	22'
12.0'	17'	17'	17'	17'	17'	17'	20'	20'	20'	20'	20'	20'	20'

**Notes:**

- 1) Refer to SRL-1 "Linear Rail & Strut Depth Rating Diagrams & Example" for additional information on use of these charts
- 2) Refer to GMESR-14-0 "GME Slide Rail Tabulated Data Package" for all general safety notes and limitations.
- 3) For (L) & (X) values that fall between the values listed in the charts above, always use rating for the next higher value (ie. L = 12' and X = 8.3', use values for L = 14' and X = 9').



**CHART SRL-142W-12**

Rev. 0





# LINEAR RAIL & STRUT - ALLOWABLE DEPTH RATINGS

## W14x120 Spreader Beams

EPL = 12.1' to 16.0'

CLEAR UNDER STRUT (X)	STANDARD DUTY RAIL						MEDIUM DUTY RAIL						A Soil
	Strut Length (L)						Strut Length (L)						
	8'	14'	16'	20'	24'	27'	8'	14'	16'	20'	24'	27'	
ALLOWABLE DEPTH RATING						ALLOWABLE DEPTH RATING							
6.0'	40'	40'	40'	40'	40'	40'	40'	40'	40'	40'	40'	40'	40'
7.0'	40'	40'	40'	40'	40'	40'	40'	40'	40'	40'	40'	40'	40'
8.0'	40'	40'	40'	40'	40'	40'	40'	40'	40'	40'	40'	40'	40'
9.0'	40'	40'	40'	40'	40'	40'	40'	40'	40'	40'	40'	40'	40'
10.0'	35'	35'	35'	35'	35'	35'	40'	40'	40'	40'	40'	40'	40'
11.0'	31'	31'	31'	31'	31'	31'	40'	40'	40'	40'	40'	40'	40'
12.0'	28'	28'	28'	28'	28'	28'	36'	36'	36'	36'	36'	36'	36'

CLEAR UNDER STRUT (X)	STANDARD DUTY RAIL						MEDIUM DUTY RAIL						B Soil
	Strut Length (L)						Strut Length (L)						
	8'	14'	16'	20'	24'	27'	8'	14'	16'	20'	24'	27'	
ALLOWABLE DEPTH RATING						ALLOWABLE DEPTH RATING							
6.0'	40'	40'	40'	40'	40'	40'	40'	40'	40'	40'	40'	40'	40'
7.0'	37'	37'	37'	37'	37'	37'	40'	40'	40'	40'	40'	40'	40'
8.0'	31'	31'	31'	31'	31'	31'	40'	40'	40'	40'	40'	40'	40'
9.0'	26'	26'	26'	26'	26'	26'	34'	34'	34'	34'	34'	34'	34'
10.0'	23'	23'	23'	23'	23'	23'	30'	30'	30'	30'	30'	30'	30'
11.0'	21'	21'	21'	21'	21'	21'	26'	26'	26'	26'	26'	26'	26'
12.0'	19'	19'	19'	19'	19'	19'	24'	24'	24'	24'	24'	24'	24'

CLEAR UNDER STRUT (X)	STANDARD DUTY RAIL						MEDIUM DUTY RAIL						C60 Soil
	Strut Length (L)						Strut Length (L)						
	8'	14'	16'	20'	24'	27'	8'	14'	16'	20'	24'	27'	
ALLOWABLE DEPTH RATING						ALLOWABLE DEPTH RATING							
6.0'	37'	37'	37'	37'	37'	37'	40'	40'	40'	40'	40'	40'	40'
7.0'	30'	30'	30'	30'	30'	30'	40'	40'	40'	40'	40'	40'	40'
8.0'	25'	25'	25'	25'	25'	25'	32'	32'	32'	32'	32'	32'	32'
9.0'	21'	21'	21'	21'	21'	21'	27'	27'	27'	27'	27'	27'	27'
10.0'	19'	19'	19'	19'	19'	19'	24'	24'	24'	24'	24'	24'	24'
11.0'	18'	18'	18'	18'	18'	18'	22'	22'	22'	22'	22'	22'	22'
12.0'	17'	17'	17'	17'	17'	17'	20'	20'	20'	20'	20'	20'	20'

CLEAR UNDER STRUT (X)	STANDARD DUTY RAIL						MEDIUM DUTY RAIL						C80 Soil
	Strut Length (L)						Strut Length (L)						
	8'	14'	16'	20'	24'	27'	8'	14'	16'	20'	24'	27'	
ALLOWABLE DEPTH RATING						ALLOWABLE DEPTH RATING							
6.0'	30'	30'	30'	30'	30'	30'	40'	40'	40'	40'	40'	40'	40'
7.0'	24'	24'	24'	24'	24'	24'	31'	31'	31'	31'	31'	31'	31'
8.0'	20'	20'	20'	20'	20'	20'	26'	26'	26'	26'	26'	26'	26'
9.0'	18'	18'	18'	18'	18'	18'	22'	22'	22'	22'	22'	22'	22'
10.0'	16'	16'	16'	16'	16'	16'	20'	20'	20'	20'	20'	20'	20'
11.0'	15'	15'	15'	15'	15'	15'	18'	18'	18'	18'	18'	18'	18'
12.0'	15'	15'	15'	15'	15'	15'	17'	17'	17'	17'	17'	17'	17'

**Notes:**

- 1) Refer to SRL-1 "Linear Rail & Strut Depth Rating Diagrams & Example" for additional information on use of these charts
- 2) Refer to GMESR-14-0 "GME Slide Rail Tabulated Data Package" for all general safety notes and limitations.
- 3) For (L) & (X) values that fall between the values listed in the charts above, always use rating for the next higher value (ie. L = 12' and X = 8.3', use values for L = 14' and X = 9').



**CHART SRL-142W-16**

Rev. 0





# LINEAR RAIL & STRUT - ALLOWABLE DEPTH RATINGS

W14x120 Spreader Beams

EPL = 16.1' to 20.0'

CLEAR UNDER STRUT (X)	STANDARD DUTY RAIL						MEDIUM DUTY RAIL						A Soil
	Strut Length (L)						Strut Length (L)						
	8'	14'	16'	20'	24'	27'	8'	14'	16'	20'	24'	27'	
	ALLOWABLE DEPTH RATING						ALLOWABLE DEPTH RATING						
6.0'	40'	40'	40'	40'	40'	40'	40'	40'	40'	40'	40'	40'	
7.0'	40'	40'	40'	40'	40'	40'	40'	40'	40'	40'	40'	40'	
8.0'	40'	40'	40'	40'	40'	40'	40'	40'	40'	40'	40'	40'	
9.0'	34'	34'	34'	34'	34'	34'	40'	40'	40'	40'	40'	40'	
10.0'	30'	30'	30'	30'	30'	30'	39'	39'	39'	39'	39'	39'	
11.0'	26'	26'	26'	26'	26'	26'	34'	34'	34'	34'	34'	34'	
12.0'	24'	24'	24'	24'	24'	24'	31'	31'	31'	31'	31'	31'	

CLEAR UNDER STRUT (X)	STANDARD DUTY RAIL						MEDIUM DUTY RAIL						B Soil
	Strut Length (L)						Strut Length (L)						
	8'	14'	16'	20'	24'	27'	8'	14'	16'	20'	24'	27'	
	ALLOWABLE DEPTH RATING						ALLOWABLE DEPTH RATING						
6.0'	40'	40'	40'	40'	40'	40'	40'	40'	40'	40'	40'	40'	
7.0'	31'	31'	31'	31'	31'	31'	40'	40'	40'	40'	40'	40'	
8.0'	26'	26'	26'	26'	26'	26'	34'	34'	34'	34'	34'	34'	
9.0'	22'	22'	22'	22'	22'	22'	29'	29'	29'	29'	29'	29'	
10.0'	20'	20'	20'	20'	20'	20'	25'	25'	25'	25'	25'	25'	
11.0'	18'	18'	18'	18'	18'	18'	23'	23'	23'	23'	23'	23'	
12.0'	17'	17'	17'	17'	17'	17'	21'	21'	21'	21'	21'	21'	

CLEAR UNDER STRUT (X)	STANDARD DUTY RAIL						MEDIUM DUTY RAIL						C60 Soil
	Strut Length (L)						Strut Length (L)						
	8'	14'	16'	20'	24'	27'	8'	14'	16'	20'	24'	27'	
	ALLOWABLE DEPTH RATING						ALLOWABLE DEPTH RATING						
6.0'	31'	31'	31'	31'	31'	31'	40'	40'	40'	40'	40'	40'	
7.0'	25'	25'	25'	25'	25'	25'	33'	33'	33'	33'	33'	33'	
8.0'	21'	21'	21'	21'	21'	21'	27'	27'	27'	27'	27'	27'	
9.0'	18'	18'	18'	18'	18'	18'	23'	23'	23'	23'	23'	23'	
10.0'	17'	17'	17'	17'	17'	17'	21'	21'	21'	21'	21'	21'	
11.0'	16'	16'	16'	16'	16'	16'	19'	19'	19'	19'	19'	19'	
12.0'	15'	15'	15'	15'	15'	15'	18'	18'	18'	18'	18'	18'	

CLEAR UNDER STRUT (X)	STANDARD DUTY RAIL						MEDIUM DUTY RAIL						C80 Soil
	Strut Length (L)						Strut Length (L)						
	8'	14'	16'	20'	24'	27'	8'	14'	16'	20'	24'	27'	
	ALLOWABLE DEPTH RATING						ALLOWABLE DEPTH RATING						
6.0'	25'	25'	25'	25'	25'	25'	33'	33'	33'	33'	33'	33'	
7.0'	20'	20'	20'	20'	20'	20'	26'	26'	26'	26'	26'	26'	
8.0'	17'	17'	17'	17'	17'	17'	22'	22'	22'	22'	22'	22'	
9.0'	16'	16'	16'	16'	16'	16'	19'	19'	19'	19'	19'	19'	
10.0'	15'	15'	15'	15'	15'	15'	18'	18'	18'	18'	18'	18'	
11.0'	14'	14'	14'	14'	14'	14'	16'	16'	16'	16'	16'	16'	
12.0'	13'	13'	13'	13'	13'	13'	16'	16'	16'	16'	16'	16'	

**Notes:**

- 1) Refer to SRL-1 "Linear Rail & Strut Depth Rating Diagrams & Example" for additional information on use of these charts
- 2) Refer to GMESR-14-0 "GME Slide Rail Tabulated Data Package" for all general safety notes and limitations.
- 3) For (L) & (X) values that fall between the values listed in the charts above, always use rating for the next higher value (ie. L = 12' and X = 8.3', use values for L = 14' and X = 9').



CHART SRL-142W-20

Rev. 0





# LINEAR RAIL & STRUT - ALLOWABLE DEPTH RATINGS

W14x120 Spreader Beams

EPL = 20.1' to 24.0'

CLEAR UNDER STRUT (X)	STANDARD DUTY RAIL						MEDIUM DUTY RAIL						A Soil
	Strut Length (L)						Strut Length (L)						
	8'	14'	16'	20'	24'	27'	8'	14'	16'	20'	24'	27'	
	ALLOWABLE DEPTH RATING						ALLOWABLE DEPTH RATING						
6.0'	40'	40'	40'	40'	40'	40'	40'	40'	40'	40'	40'	40'	
7.0'	40'	40'	40'	40'	40'	40'	40'	40'	40'	40'	40'	40'	
8.0'	35'	35'	35'	35'	35'	35'	40'	40'	40'	40'	40'	40'	
9.0'	30'	30'	30'	30'	30'	30'	40'	40'	40'	40'	40'	40'	
10.0'	26'	26'	26'	26'	26'	26'	34'	34'	34'	34'	34'	34'	
11.0'	23'	23'	23'	23'	23'	23'	30'	30'	30'	30'	30'	30'	
12.0'	21'	21'	21'	21'	21'	21'	27'	27'	27'	27'	27'	27'	

CLEAR UNDER STRUT (X)	STANDARD DUTY RAIL						MEDIUM DUTY RAIL						B Soil
	Strut Length (L)						Strut Length (L)						
	8'	14'	16'	20'	24'	27'	8'	14'	16'	20'	24'	27'	
	ALLOWABLE DEPTH RATING						ALLOWABLE DEPTH RATING						
6.0'	34'	34'	34'	34'	34'	34'	40'	40'	40'	40'	40'	40'	
7.0'	27'	27'	27'	27'	27'	27'	36'	36'	36'	36'	36'	36'	
8.0'	23'	23'	23'	23'	23'	23'	29'	29'	29'	29'	29'	29'	
9.0'	20'	20'	20'	20'	20'	20'	25'	25'	25'	25'	25'	25'	
10.0'	18'	18'	18'	18'	18'	18'	22'	22'	22'	22'	22'	22'	
11.0'	17'	17'	17'	17'	17'	17'	20'	20'	20'	20'	20'	20'	
12.0'	16'	16'	16'	16'	16'	16'	19'	19'	19'	19'	19'	19'	

CLEAR UNDER STRUT (X)	STANDARD DUTY RAIL						MEDIUM DUTY RAIL						C60 Soil
	Strut Length (L)						Strut Length (L)						
	8'	14'	16'	20'	24'	27'	8'	14'	16'	20'	24'	27'	
	ALLOWABLE DEPTH RATING						ALLOWABLE DEPTH RATING						
6.0'	27'	27'	27'	27'	27'	27'	36'	36'	36'	36'	36'	36'	
7.0'	22'	22'	22'	22'	22'	22'	28'	28'	28'	28'	28'	28'	
8.0'	19'	19'	19'	19'	19'	19'	24'	24'	24'	24'	24'	24'	
9.0'	17'	17'	17'	17'	17'	17'	21'	21'	21'	21'	21'	21'	
10.0'	15'	15'	15'	15'	15'	15'	19'	19'	19'	19'	19'	19'	
11.0'	15'	15'	15'	15'	15'	15'	17'	17'	17'	17'	17'	17'	
12.0'	14'	14'	14'	14'	14'	14'	16'	16'	16'	16'	16'	16'	

CLEAR UNDER STRUT (X)	STANDARD DUTY RAIL						MEDIUM DUTY RAIL						C80 Soil
	Strut Length (L)						Strut Length (L)						
	8'	14'	16'	20'	24'	27'	8'	14'	16'	20'	24'	27'	
	ALLOWABLE DEPTH RATING						ALLOWABLE DEPTH RATING						
6.0'	22'	22'	22'	22'	22'	22'	28'	28'	28'	28'	28'	28'	
7.0'	18'	18'	18'	18'	18'	18'	23'	23'	23'	23'	23'	23'	
8.0'	16'	16'	16'	16'	16'	16'	20'	20'	20'	20'	20'	20'	
9.0'	14'	14'	14'	14'	14'	14'	17'	17'	17'	17'	17'	17'	
10.0'	13'	13'	13'	13'	13'	13'	16'	16'	16'	16'	16'	16'	
11.0'	13'	13'	13'	13'	13'	13'	15'	15'	15'	15'	15'	15'	
12.0'	13'	13'	13'	13'	13'	13'	14'	14'	14'	14'	14'	14'	

**Notes:**

- 1) Refer to SRL-1 "Linear Rail & Strut Depth Rating Diagrams & Example" for additional information on use of these charts
- 2) Refer to GMESR-14-0 "GME Slide Rail Tabulated Data Package" for all general safety notes and limitations.
- 3) For (L) & (X) values that fall between the values listed in the charts above, always use rating for the next higher value (ie. L = 12' and X = 8.3', use values for L = 14' and X = 9').



CHART SRL-142W-24

Rev. 0





# LINEAR RAIL & STRUT - ALLOWABLE DEPTH RATINGS

8" Sch. 80 Spreader Pipes

EPL = 8.1' to 12.0'

CLEAR UNDER STRUT (X)	STANDARD DUTY RAIL						MEDIUM DUTY RAIL						A Soil
	Strut Length (L)						Strut Length (L)						
	8'	14'	16'	20'	24'	27'	8'	14'	16'	20'	24'	27'	
	ALLOWABLE DEPTH RATING						ALLOWABLE DEPTH RATING						
6.0'	40'	40'	40'	40'	40'	38'	40'	40'	40'	40'	40'	38'	
7.0'	40'	40'	40'	40'	40'	33'	40'	40'	40'	40'	40'	33'	
8.0'	40'	40'	40'	40'	40'	30'	40'	40'	40'	40'	40'	30'	
9.0'	40'	40'	40'	40'	36'	27'	40'	40'	40'	40'	36'	27'	
10.0'	40'	40'	39'	37'	33'	25'	40'	40'	39'	37'	33'	25'	
11.0'	38'	38'	36'	34'	30'	24'	40'	39'	36'	34'	30'	24'	
12.0'	34'	34'	33'	31'	28'	22'	40'	36'	33'	31'	28'	22'	

CLEAR UNDER STRUT (X)	STANDARD DUTY RAIL						MEDIUM DUTY RAIL						B Soil
	Strut Length (L)						Strut Length (L)						
	8'	14'	16'	20'	24'	27'	8'	14'	16'	20'	24'	27'	
	ALLOWABLE DEPTH RATING						ALLOWABLE DEPTH RATING						
6.0'	40'	37'	35'	31'	26'	23'	40'	37'	35'	31'	26'	23'	
7.0'	40'	36'	33'	31'	28'	21'	40'	36'	33'	31'	28'	21'	
8.0'	38'	32'	30'	28'	25'	20'	40'	32'	30'	28'	25'	20'	
9.0'	32'	29'	27'	26'	23'	18'	40'	29'	27'	26'	23'	18'	
10.0'	28'	27'	25'	24'	22'	17'	37'	27'	25'	24'	22'	17'	
11.0'	25'	25'	23'	22'	20'	17'	32'	25'	23'	22'	20'	17'	
12.0'	23'	23'	22'	21'	20'	16'	29'	24'	22'	21'	20'	16'	

CLEAR UNDER STRUT (X)	STANDARD DUTY RAIL						MEDIUM DUTY RAIL						C60 Soil
	Strut Length (L)						Strut Length (L)						
	8'	14'	16'	20'	24'	27'	8'	14'	16'	20'	24'	27'	
	ALLOWABLE DEPTH RATING						ALLOWABLE DEPTH RATING						
6.0'	40'	29'	28'	25'	21'	19'	40'	29'	28'	25'	21'	19'	
7.0'	37'	29'	26'	25'	22'	17'	40'	29'	26'	25'	22'	17'	
8.0'	31'	26'	24'	23'	21'	16'	40'	26'	24'	23'	21'	16'	
9.0'	26'	24'	22'	21'	19'	16'	34'	24'	22'	21'	19'	16'	
10.0'	23'	22'	21'	20'	18'	15'	30'	22'	21'	20'	18'	15'	
11.0'	21'	21'	20'	19'	17'	15'	26'	21'	20'	19'	17'	15'	
12.0'	19'	19'	19'	18'	17'	14'	24'	20'	19'	18'	17'	14'	

CLEAR UNDER STRUT (X)	STANDARD DUTY RAIL						MEDIUM DUTY RAIL						C80 Soil
	Strut Length (L)						Strut Length (L)						
	8'	14'	16'	20'	24'	27'	8'	14'	16'	20'	24'	27'	
	ALLOWABLE DEPTH RATING						ALLOWABLE DEPTH RATING						
6.0'	37'	23'	22'	20'	17'	16'	40'	23'	22'	20'	17'	16'	
7.0'	30'	23'	21'	20'	18'	15'	40'	23'	21'	20'	18'	15'	
8.0'	25'	21'	20'	19'	17'	14'	32'	21'	20'	19'	17'	14'	
9.0'	21'	20'	18'	18'	16'	13'	27'	20'	18'	18'	16'	13'	
10.0'	19'	19'	17'	17'	16'	13'	24'	19'	17'	17'	16'	13'	
11.0'	18'	18'	17'	16'	15'	13'	22'	18'	17'	16'	15'	13'	
12.0'	17'	17'	16'	16'	15'	13'	20'	17'	16'	16'	15'	13'	

**Notes:**

- 1) Refer to SRL-1 "Linear Rail & Strut Depth Rating Diagrams & Example" for additional information on use of these charts
- 2) Refer to GMESR-14-0 "GME Slide Rail Tabulated Data Package" for all general safety notes and limitations.
- 3) For (L) & (X) values that fall between the values listed in the charts above, always use rating for the next higher value (ie. L = 12' and X = 8.3', use values for L = 14' and X = 9').



CHART SRL-8P-12

Rev. 0



MAR 02 2015



# LINEAR RAIL & STRUT - ALLOWABLE DEPTH RATINGS

8" Sch. 80 Spreader Pipes

EPL = 12.1' to 16.0'

CLEAR UNDER STRUT (X)	STANDARD DUTY RAIL						MEDIUM DUTY RAIL						A Soil
	Strut Length (L)						Strut Length (L)						
	8'	14'	16'	20'	24'	27'	8'	14'	16'	20'	24'	27'	
	ALLOWABLE DEPTH RATING						ALLOWABLE DEPTH RATING						
6.0'	40'	40'	40'	40'	34'	30'	40'	40'	40'	40'	34'	30'	
7.0'	40'	40'	40'	40'	35'	26'	40'	40'	40'	40'	35'	26'	
8.0'	40'	40'	38'	35'	32'	24'	40'	40'	38'	35'	32'	24'	
9.0'	40'	37'	34'	32'	29'	22'	40'	37'	34'	32'	29'	22'	
10.0'	35'	34'	31'	29'	27'	21'	40'	34'	31'	29'	27'	21'	
11.0'	31'	31'	29'	27'	25'	20'	40'	31'	29'	27'	25'	20'	
12.0'	28'	28'	27'	26'	23'	19'	36'	29'	27'	26'	23'	19'	

CLEAR UNDER STRUT (X)	STANDARD DUTY RAIL						MEDIUM DUTY RAIL						B Soil
	Strut Length (L)						Strut Length (L)						
	8'	14'	16'	20'	24'	27'	8'	14'	16'	20'	24'	27'	
	ALLOWABLE DEPTH RATING						ALLOWABLE DEPTH RATING						
6.0'	40'	29'	28'	25'	21'	19'	40'	29'	28'	25'	21'	19'	
7.0'	37'	29'	26'	25'	22'	17'	40'	29'	26'	25'	22'	17'	
8.0'	31'	26'	24'	23'	21'	16'	40'	26'	24'	23'	21'	16'	
9.0'	26'	24'	22'	21'	19'	16'	34'	24'	22'	21'	19'	16'	
10.0'	23'	22'	21'	20'	18'	15'	30'	22'	21'	20'	18'	15'	
11.0'	21'	21'	20'	19'	17'	15'	26'	21'	20'	19'	17'	15'	
12.0'	19'	19'	19'	18'	17'	14'	24'	20'	19'	18'	17'	14'	

CLEAR UNDER STRUT (X)	STANDARD DUTY RAIL						MEDIUM DUTY RAIL						C60 Soil
	Strut Length (L)						Strut Length (L)						
	8'	14'	16'	20'	24'	27'	8'	14'	16'	20'	24'	27'	
	ALLOWABLE DEPTH RATING						ALLOWABLE DEPTH RATING						
6.0'	37'	23'	22'	20'	17'	16'	40'	23'	22'	20'	17'	16'	
7.0'	30'	23'	21'	20'	18'	15'	40'	23'	21'	20'	18'	15'	
8.0'	25'	21'	20'	19'	17'	14'	32'	21'	20'	19'	17'	14'	
9.0'	21'	20'	18'	18'	16'	13'	27'	20'	18'	18'	16'	13'	
10.0'	19'	19'	17'	17'	16'	13'	24'	19'	17'	17'	16'	13'	
11.0'	18'	18'	17'	16'	15'	13'	22'	18'	17'	16'	15'	13'	
12.0'	17'	17'	16'	16'	15'	13'	20'	17'	16'	16'	15'	13'	

CLEAR UNDER STRUT (X)	STANDARD DUTY RAIL						MEDIUM DUTY RAIL						C80 Soil
	Strut Length (L)						Strut Length (L)						
	8'	14'	16'	20'	24'	27'	8'	14'	16'	20'	24'	27'	
	ALLOWABLE DEPTH RATING						ALLOWABLE DEPTH RATING						
6.0'	30'	19'	18'	16'	14'	13'	40'	19'	18'	16'	14'	13'	
7.0'	24'	19'	17'	17'	15'	13'	31'	19'	17'	17'	15'	13'	
8.0'	20'	18'	16'	16'	14'	12'	26'	18'	16'	16'	14'	12'	
9.0'	18'	17'	16'	15'	14'	12'	22'	17'	16'	15'	14'	12'	
10.0'	16'	16'	15'	14'	14'	12'	20'	16'	15'	14'	14'	12'	
11.0'	15'	15'	15'	14'	13'	12'	18'	15'	15'	14'	13'	12'	
12.0'	15'	15'	14'	14'	13'	NA	17'	15'	14'	14'	13'	NA	

**Notes:**

- 1) Refer to SRL-1 "Linear Rail & Strut Depth Rating Diagrams & Example" for additional information on use of these charts
- 2) Refer to GMESR-14-0 "GME Slide Rail Tabulated Data Package" for all general safety notes and limitations.
- 3) For (L) & (X) values that fall between the values listed in the charts above, always use rating for the next higher value (ie. L = 12' and X = 8.3', use values for L = 14' and X = 9').



CHART SRL-8P-16

Rev. 0



MAR 02 2015



# LINEAR RAIL & STRUT - ALLOWABLE DEPTH RATINGS

8" Sch. 80 Spreader Pipes

EPL = 16.1' to 20.0'

CLEAR UNDER STRUT (X)	STANDARD DUTY RAIL						MEDIUM DUTY RAIL						A Soil
	Strut Length (L)						Strut Length (L)						
	8'	14'	16'	20'	24'	27'	8'	14'	16'	20'	24'	27'	
	ALLOWABLE DEPTH RATING						ALLOWABLE DEPTH RATING						
6.0'	40'	40'	37'	33'	28'	25'	40'	40'	37'	33'	28'	25'	
7.0'	40'	39'	35'	33'	29'	22'	40'	39'	35'	33'	29'	22'	
8.0'	40'	34'	31'	30'	27'	21'	40'	34'	31'	30'	27'	21'	
9.0'	34'	31'	29'	27'	24'	19'	40'	31'	29'	27'	24'	19'	
10.0'	30'	29'	26'	25'	23'	18'	39'	29'	26'	25'	23'	18'	
11.0'	26'	26'	25'	23'	21'	17'	34'	27'	25'	23'	21'	17'	
12.0'	24'	24'	23'	22'	20'	17'	31'	25'	23'	22'	20'	17'	

CLEAR UNDER STRUT (X)	STANDARD DUTY RAIL						MEDIUM DUTY RAIL						B Soil
	Strut Length (L)						Strut Length (L)						
	8'	14'	16'	20'	24'	27'	8'	14'	16'	20'	24'	27'	
	ALLOWABLE DEPTH RATING						ALLOWABLE DEPTH RATING						
6.0'	40'	25'	23'	21'	18'	16'	40'	25'	23'	21'	18'	16'	
7.0'	31'	24'	22'	21'	19'	15'	40'	24'	22'	21'	19'	15'	
8.0'	26'	22'	20'	19'	18'	14'	34'	22'	20'	19'	18'	14'	
9.0'	22'	21'	19'	18'	17'	14'	29'	21'	19'	18'	17'	14'	
10.0'	20'	19'	18'	17'	16'	14'	25'	19'	18'	17'	16'	14'	
11.0'	18'	18'	17'	17'	16'	13'	23'	18'	17'	17'	16'	13'	
12.0'	17'	17'	17'	16'	15'	13'	21'	18'	17'	16'	15'	13'	

CLEAR UNDER STRUT (X)	STANDARD DUTY RAIL						MEDIUM DUTY RAIL						C60 Soil
	Strut Length (L)						Strut Length (L)						
	8'	14'	16'	20'	24'	27'	8'	14'	16'	20'	24'	27'	
	ALLOWABLE DEPTH RATING						ALLOWABLE DEPTH RATING						
6.0'	31'	20'	19'	17'	15'	14'	40'	20'	19'	17'	15'	14'	
7.0'	25'	20'	18'	17'	16'	13'	33'	20'	18'	17'	16'	13'	
8.0'	21'	18'	17'	16'	15'	12'	27'	18'	17'	16'	15'	12'	
9.0'	18'	17'	16'	15'	14'	12'	23'	17'	16'	15'	14'	12'	
10.0'	17'	16'	15'	15'	14'	12'	21'	16'	15'	15'	14'	12'	
11.0'	16'	16'	15'	15'	14'	12'	19'	16'	15'	15'	14'	12'	
12.0'	15'	15'	15'	14'	14'	12'	18'	16'	15'	14'	14'	12'	

CLEAR UNDER STRUT (X)	STANDARD DUTY RAIL						MEDIUM DUTY RAIL						C80 Soil
	Strut Length (L)						Strut Length (L)						
	8'	14'	16'	20'	24'	27'	8'	14'	16'	20'	24'	27'	
	ALLOWABLE DEPTH RATING						ALLOWABLE DEPTH RATING						
6.0'	25'	16'	16'	14'	13'	12'	33'	16'	16'	14'	13'	12'	
7.0'	20'	16'	15'	15'	13'	11'	26'	16'	15'	15'	13'	11'	
8.0'	17'	15'	14'	14'	13'	11'	22'	15'	14'	14'	13'	11'	
9.0'	16'	15'	14'	13'	13'	11'	19'	15'	14'	13'	13'	11'	
10.0'	15'	14'	14'	13'	12'	11'	18'	14'	14'	13'	12'	11'	
11.0'	14'	14'	13'	13'	12'	11'	16'	14'	13'	13'	12'	11'	
12.0'	13'	13'	13'	13'	12'	NA	16'	14'	13'	13'	12'	NA	

**Notes:**

- 1) Refer to SRL-1 "Linear Rail & Strut Depth Rating Diagrams & Example" for additional information on use of these charts
- 2) Refer to GMESR-14-0 "GME Slide Rail Tabulated Data Package" for all general safety notes and limitations.
- 3) For (L) & (X) values that fall between the values listed in the charts above, always use rating for the next higher value (ie. L = 12' and X = 8.3', use values for L = 14' and X = 9').



CHART SRL-8P-20

Rev. 0





# LINEAR RAIL & STRUT - ALLOWABLE DEPTH RATINGS

8" Sch. 80 Spreader Pipes

EPL = 20.1' to 24.0'

CLEAR UNDER STRUT (X)	STANDARD DUTY RAIL						MEDIUM DUTY RAIL						A Soil
	Strut Length (L)						Strut Length (L)						
	8'	14'	16'	20'	24'	27'	8'	14'	16'	20'	24'	27'	
	ALLOWABLE DEPTH RATING						ALLOWABLE DEPTH RATING						
6.0'	40'	34'	32'	29'	24'	22'	40'	34'	32'	29'	24'	22'	
7.0'	40'	33'	30'	28'	26'	20'	40'	33'	30'	28'	26'	20'	
8.0'	35'	30'	27'	26'	23'	18'	40'	30'	27'	26'	23'	18'	
9.0'	30'	27'	25'	24'	22'	17'	40'	27'	25'	24'	22'	17'	
10.0'	26'	25'	23'	22'	20'	16'	34'	25'	23'	22'	20'	16'	
11.0'	23'	23'	22'	21'	19'	16'	30'	24'	22'	21'	19'	16'	
12.0'	21'	21'	21'	20'	19'	16'	27'	22'	21'	20'	19'	16'	

CLEAR UNDER STRUT (X)	STANDARD DUTY RAIL						MEDIUM DUTY RAIL						B Soil
	Strut Length (L)						Strut Length (L)						
	8'	14'	16'	20'	24'	27'	8'	14'	16'	20'	24'	27'	
	ALLOWABLE DEPTH RATING						ALLOWABLE DEPTH RATING						
6.0'	34'	21'	20'	18'	16'	15'	40'	21'	20'	18'	16'	15'	
7.0'	27'	21'	20'	19'	17'	14'	36'	21'	20'	19'	17'	14'	
8.0'	23'	20'	18'	17'	16'	13'	29'	20'	18'	17'	16'	13'	
9.0'	20'	18'	17'	16'	15'	13'	25'	18'	17'	16'	15'	13'	
10.0'	18'	17'	16'	16'	15'	13'	22'	17'	16'	16'	15'	13'	
11.0'	17'	17'	16'	15'	14'	12'	20'	17'	16'	15'	14'	12'	
12.0'	16'	16'	15'	15'	14'	13'	19'	16'	15'	15'	14'	13'	

CLEAR UNDER STRUT (X)	STANDARD DUTY RAIL						MEDIUM DUTY RAIL						C60 Soil
	Strut Length (L)						Strut Length (L)						
	8'	14'	16'	20'	24'	27'	8'	14'	16'	20'	24'	27'	
	ALLOWABLE DEPTH RATING						ALLOWABLE DEPTH RATING						
6.0'	27'	18'	17'	15'	14'	12'	36'	18'	17'	15'	14'	12'	
7.0'	22'	17'	16'	15'	14'	12'	28'	17'	16'	15'	14'	12'	
8.0'	19'	16'	15'	15'	14'	12'	24'	16'	15'	15'	14'	12'	
9.0'	17'	16'	15'	14'	13'	11'	21'	16'	15'	14'	13'	11'	
10.0'	15'	15'	14'	14'	13'	11'	19'	15'	14'	14'	13'	11'	
11.0'	15'	15'	14'	14'	13'	11'	17'	15'	14'	14'	13'	11'	
12.0'	14'	14'	14'	13'	13'	NA	16'	14'	14'	13'	13'	NA	

CLEAR UNDER STRUT (X)	STANDARD DUTY RAIL						MEDIUM DUTY RAIL						C80 Soil
	Strut Length (L)						Strut Length (L)						
	8'	14'	16'	20'	24'	27'	8'	14'	16'	20'	24'	27'	
	ALLOWABLE DEPTH RATING						ALLOWABLE DEPTH RATING						
6.0'	22'	15'	14'	13'	12'	11'	28'	15'	14'	13'	12'	11'	
7.0'	18'	15'	14'	13'	12'	10'	23'	15'	14'	13'	12'	10'	
8.0'	16'	14'	13'	13'	12'	10'	20'	14'	13'	13'	12'	10'	
9.0'	14'	13'	13'	12'	12'	10'	17'	13'	13'	12'	12'	10'	
10.0'	13'	13'	13'	12'	12'	10'	16'	13'	13'	12'	12'	10'	
11.0'	13'	13'	13'	12'	12'	NA	15'	13'	13'	12'	12'	NA	
12.0'	13'	13'	13'	12'	NA	NA	14'	13'	13'	12'	NA	NA	

**Notes:**

- 1) Refer to SRL-1 "Linear Rail & Strut Depth Rating Diagrams & Example" for additional information on use of these charts
- 2) Refer to GMESR-14-0 "GME Slide Rail Tabulated Data Package" for all general safety notes and limitations.
- 3) For (L) & (X) values that fall between the values listed in the charts above, always use rating for the next higher value (ie. L = 12' and X = 8.3', use values for L = 14' and X = 9').



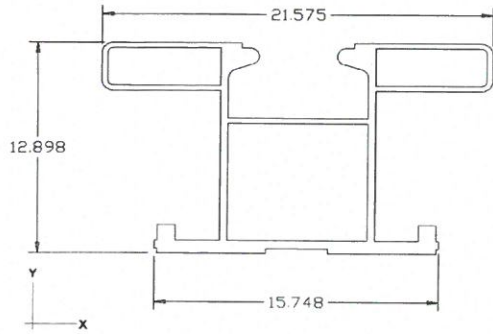
CHART SRL-8P-24

Rev. 0



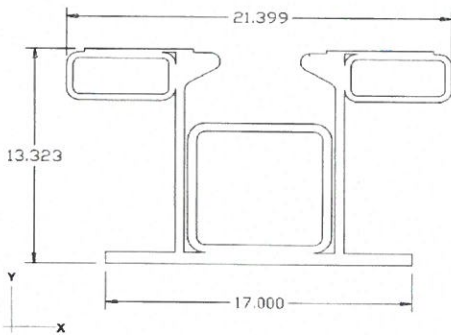


# LINEAR RAIL PROPERTIES & ALLOWABLE MOMENT CAPACITY



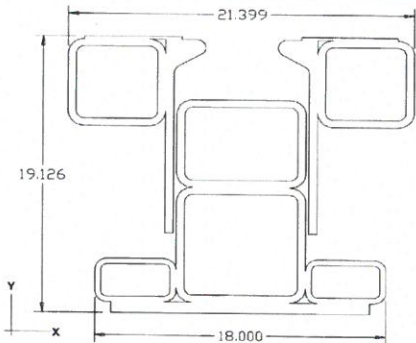
## STANDARD DUTY LINEAR RAIL

Section Modulus ( $S_x$ ) =	150	in <sup>3</sup>
Moment of Inertia ( $I_x$ ) =	974	in <sup>4</sup>
Steel Yield Strength =	50	ksi
Allowable Moment =	548	k-ft



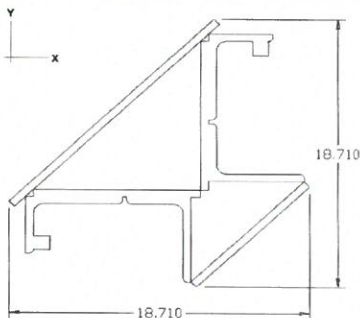
## MEDIUM DUTY LINEAR RAIL

Section Modulus ( $S_x$ ) =	215	in <sup>3</sup>
Moment of Inertia ( $I_x$ ) =	1431	in <sup>4</sup>
Steel Yield Strength =	50	ksi
Allowable Moment =	786	k-ft



## HEAVY DUTY LINEAR RAIL

Section Modulus ( $S_x$ ) =	414	in <sup>3</sup>
Moment of Inertia ( $I_x$ ) =	4010	in <sup>4</sup>
Steel Yield Strength =	50	ksi
Allowable Moment =	1514	k-ft



## STANDARD DUTY CORNER RAIL

Section Modulus ( $S_x$ ) =	105	in <sup>3</sup>
Moment of Inertia ( $I_x$ & $I_y$ ) =	1023	in <sup>4</sup>
Steel Yield Strength =	36	ksi
Allowable Moment =	275	k-ft

### Notes:

- 1) This data sheet is to provide properties of GME rails for use in the preparation of site specific engineering.
- 2) Site specific plans must be prepared and certified by a professional engineer licensed in the state in which the shoring is being installed.
- 3) Refer to GMESR-14-0 "GME Slide Rail Tabulated Data"



Data Sheet LR-1-0

