

Aluminum Octagon Box

Octagon-Configured Modular Build-A-Box



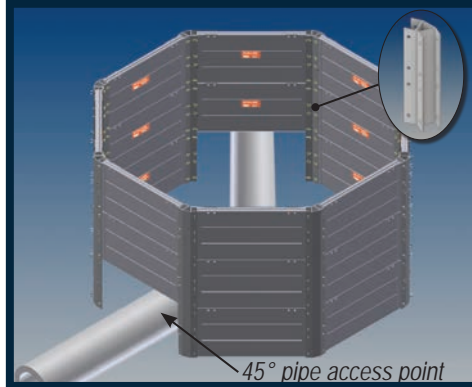
ADVANTAGES

GME unveils the newest innovation to the industry-leading Build-A-Box Modular Aluminum Trench Shielding System: a lightweight, aluminum Octagon Box.

The Aluminum Octagon Box is comprised of standard Build-A-Box panels, pinned in exclusive 135° angle vertical posts. The result is a safe, lightweight, manhole shield that is perfectly designed to shore tightly around odd-angled laterals and other manhole leads.

FEATURES

- Compatible with standard 24" tall Build-A-Box aluminum panels; from 2' to 5' lengths
- Inside diameter space ranging from 61" to 148"
- Provides eight different lateral pipe access points by leaving out bottom panel



135° BAB CORNER POSTS		
Model	Length	Weight (lbs.)
BBC-OCT-24	24"	22
BBC-OCT-36	36"	33
BBC-OCT-48	48"	44
BBC-OCT-60	60"	55
BBC-OCT-72	72"	66
BBC-OCT-84	84"	77
BBC-OCT-96	96"	88
BBC-OCT-120	120"	110
BBC-OCT-144	144"	132