

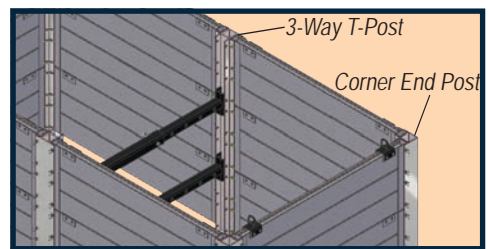
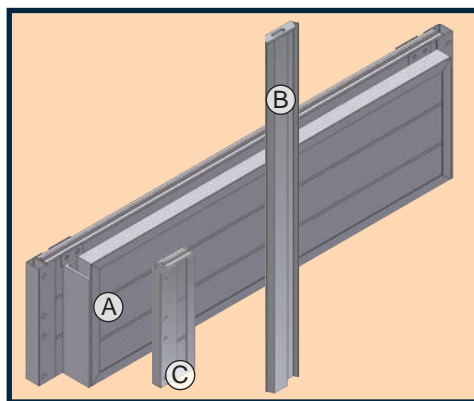
Model	Panels (2 ft. High)		BUILD-A-BOX PANELS			
	Length	Weight (lbs.)	Shield Capacity (PSF)	Maximum Depth Per Soil Type (ft.)		
				B	C-60	C-80
BAB-2	24"	34	2,400	53	40	30
BAB-3	36"	46	2,400	53	40	30
BAB-4	48"	60	2,400	53	40	30
BAB-5	60"	71	2,400	53	40	30
BAB-6	72"	84	2,400	53	40	30
BAB-7	84"	99	1,740	39	29	22
BAB-8	96"	110	1,440	32	24	18
BAB-9	108"	125	1,200	27	20	15
BAB-10	120"	138	960	21	16	12
BAB-12	144"	165	780	17	13	10
BAB-14	168"	190	600	13	10	8
BAB-16	192"	210	480	11	8	6

CORNER END POSTS		
Model	Length	Weight (lbs.)
BAB-C2-2	24"	18
BAB-C2-4	48"	36
BAB-C2-6	72"	53
BAB-C2-8	96"	69
BAB-C2-10	120"	88
BAB-C2-12	144"	126

^ SHEETING GUIDE FRAME		
Model	Length	Weight (lbs.)
BAB-SGF-4	48"	119
BAB-SGF-6	72"	190
BAB-SGF-8	96"	245
BAB-SGF-10	120"	316

3-WAY T-POSTS		
Model	Length	Weight (lbs.)
BAB-C3-2	24"	19
BAB-C3-4	48"	38
BAB-C3-6	72"	57
BAB-C3-8	96"	75
BAB-C3-10	120"	95
BAB-C3-12	144"	141

^ ALUMINUM SHEETS (W-PUSH CAPS)		
Model	Length	Weight (lbs.)
BAB-ALUM-SHEET-6	72"	25
BAB-ALUM-SHEET-8	96"	33
C FILLER PANEL	8"	14



SPREADERS - ADJUSTABLE SQUARE TUBE		
Model	Length	Weight (lbs.)
BAB-TS-1826	18" - 26"	26
BAB-TS-2436	24" - 36"	36
BAB-TS-3660	36" - 60"	47
BAB-TS-4872	48" - 72"	62
BAB-TS-6096	60" - 96"	76
BAB-TS-72108	72" - 108"	89
BAB-TS-84120	84" - 120"	103
BAB-TS-96144	96" - 144"	133

HEIGHT ADAPTERS AND EXTENSIONS			
Model	Description	Weight (lbs.)	Maximum Depth C-60 (ft.)
HABAB72-HT. ADAPTAR	72" (HIGH) X 48"	620	14
HAEXT-BAB-24	24" HORIZ. EXTENSIONS	110	14
HAEXT-BAB-36	36" HORIZ. EXTENSIONS	140	14
HAEXT-BAB-48	48" HORIZ. EXTENSIONS	170	14
HAEXT-BAB-60	60" HORIZ. EXTENSIONS	200	14
HAEXT-BAB-72	72" HORIZ. EXTENSIONS	230	14
HAEXT-BAB-84	84" HORIZ. EXTENSIONS	260	14